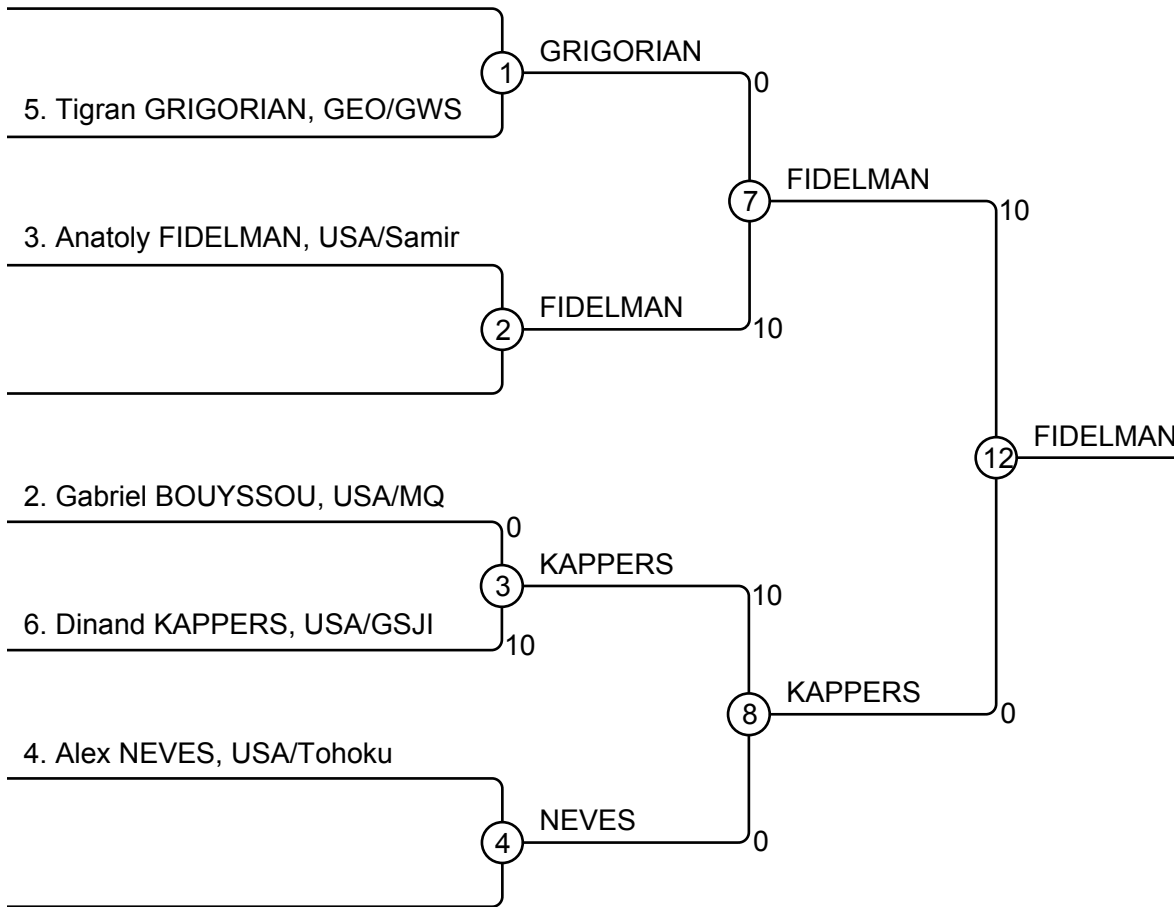


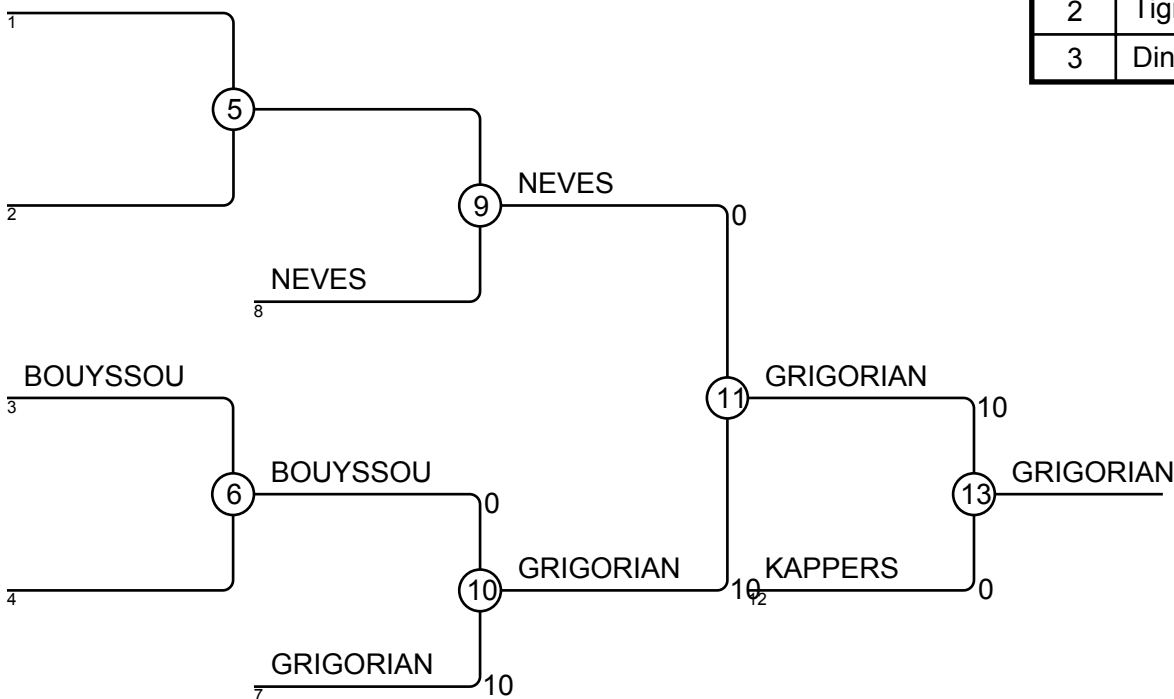
OSI 17/3 B1-M /-23

Competitors: 5



Results

Pos	Name
1	Anatoly FIDELMAN, USA/Samir
2	Tigran GRIGORIAN, GEO/GWS
3	Dinand KAPPERS, USA/GSJI



OSI 17/3 B2-F /-21

Competitors: 2

Competitors

#	Name	Club	1	2	1	2	1	2	Wins	Pts	Pos
1	Celine BOUYSSOU	USA/MQ							0	0	1
2	? UNCONTESTED								0	0	2

Matches

Match	White	Blue	Result	Time
1	Celine BOUYSSOU	1 2	? UNCONTESTED	
2	Celine BOUYSSOU	1 2	? UNCONTESTED	
3	Celine BOUYSSOU	1 2	? UNCONTESTED	

Results

Pos	Name
1	Celine BOUYSSOU, USA/MQ
2	? UNCONTESTED,

OSI 17/3 B2-M /-21

Competitors: 2

Competitors

#	Name	Club	1	2	1	2	1	2	Wins	Pts	Pos
1	? UNCONTESTED								0	0	2
2	Lenny SHEYNFELD	USA/Combat Sambo							0	0	1

Matches

Match	White		Blue	Result	Time
1	? UNCONTESTED	1	2	Lenny SHEYNFELD	
2	? UNCONTESTED	1	2	Lenny SHEYNFELD	
3	? UNCONTESTED	1	2	Lenny SHEYNFELD	

Results

Pos	Name
1	Lenny SHEYNFELD, USA/Combat Sambo
2	? UNCONTESTED,

OSI 17/3 B2-M /-25

Competitors: 3

Competitors

#	Name	Club	1	2	3	Wins	Pts	Pos
1	Luke LAGASSE	USA/MQ				0	0	3
2	Daniel MAKAROVSKIY	USA/Sambu Judo Center	10			1	10	2
3	John SMITH	USA/Camal Judo	10	10		2	20	1

Matches

Match	White			Blue	Result	Time
1	Luke LAGASSE	1	2	Daniel MAKAROVSKIY	0 - 10	0:27
2	Luke LAGASSE	1	3	John SMITH	0 - 10	0:08
3	Daniel MAKAROVSKIY	2	3	John SMITH	0 - 10	0:54

Results

Pos	Name
1	John SMITH, USA/Camal Judo
2	Daniel MAKAROVSKIY, USA/Sambu Judo Center
3	Luke LAGASSE, USA/MQ

OSI 17/3 B2-M /-30

Competitors: 3

Competitors

#	Name	Club	1	2	3	Wins	Pts	Pos
1	Samuel ARTOV	USA/Samir				0	0	3
2	Albert FORONDA	USA/Combat Sambo	10		10	2	20	1
3	Soren OGDEN	USA/Ippon Judo	7			1	7	2

Matches

Match	White			Blue	Result	Time
1	Samuel ARTOV	1	2	Albert FORONDA	0 - 10	1:05
2	Samuel ARTOV	1	3	Soren OGDEN	0 - 7	3:00
3	Albert FORONDA	2	3	Soren OGDEN	10 - 0	0:20

Results

Pos	Name
1	Albert FORONDA, USA/Combat Sambo
2	Soren OGDEN, USA/Ippon Judo
3	Samuel ARTOV, USA/Samir

OSI 17/3 B2-M /- +30

Competitors: 2

Competitors

#	Name	Club	1	2	1	2	1	2	Wins	Pts	Pos
1	Dylan GREENSTEIN	USA/Pedros							0	0	1
2	? UNCONTESTED								0	0	2

Matches

Match	White	Blue	Result	Time
1	Dylan GREENSTEIN	1 2	? UNCONTESTED	
2	Dylan GREENSTEIN	1 2	? UNCONTESTED	
3	Dylan GREENSTEIN	1 2	? UNCONTESTED	

Results

Pos	Name
1	Dylan GREENSTEIN, USA/Pedros
2	? UNCONTESTED,

OSI 17/3 B3-F /-31

Competitors: 2

Competitors

#	Name	Club	1	2	1	2	1	2	Wins	Pts	Pos
1	Eve APRILETTI	FRA/MQ							0	0	2
2	Phaedra KAPPERS	USA/GSJI	10		10				2	20	1

Matches

Match	White			Blue	Result	Time
1	Eve APRILETTI	1	2	Phaedra KAPPERS	0 - 10	0:25
2	Eve APRILETTI	1	2	Phaedra KAPPERS	0 - 10	0:28
3	Eve APRILETTI	1	2	Phaedra KAPPERS		

Results

Pos	Name
1	Phaedra KAPPERS, USA/GSJI
2	Eve APRILETTI, FRA/MQ

OSI 17/3 B3-M /-23

Competitors: 3

Competitors

#	Name	Club	1	2	3	Wins	Pts	Pos
1	Maxim SHVARTSBERG	USA/Samir Judo		5		1	5	2
2	Michael ABRAMOV	GEO/Georgian Judo				0	0	3
3	Benjamin YANKILEVICH	USA/Combat Sambo	10	10		2	20	1

Matches

Match	White			Blue	Result	Time
1	Maxim SHVARTSBERG	1	2	Michael ABRAMOV	5 - 0	3:00
2	Maxim SHVARTSBERG	1	3	Benjamin YANKILEVICH	0 - 10	1:32
3	Michael ABRAMOV	2	3	Benjamin YANKILEVICH	0 - 10	0:38

Results

Pos	Name
1	Benjamin YANKILEVICH, USA/Combat Sambo
2	Maxim SHVARTSBERG, USA/Samir Judo
3	Michael ABRAMOV, GEO/Georgian Judo

OSI 17/3 B3-M /-27

Competitors: 4

Competitors

#	Name	Club	1	2	3	4	Wins	Pts	Pos
1	Adam VESEY	USA/MQ			10	5	2	15	2
2	Mikhail KASIMOV	USA/Samir Judo	10		10	5	3	25	1
3	Maynor MOREIRA	USA/Legros					0	0	4
4	Ryan RAGUCCI	USA/Pedros			10		1	10	3

Matches

Match	White		Blue		Result	Time
1	Adam VESEY	1	2	Mikhail KASIMOV	0 - 10	1:08
2	Maynor MOREIRA	3	4	Ryan RAGUCCI	0 - 10	0:16
3	Adam VESEY	1	3	Maynor MOREIRA	10 - 0	0:49
4	Mikhail KASIMOV	2	4	Ryan RAGUCCI	5 - 0	3:00
5	Adam VESEY	1	4	Ryan RAGUCCI	5 - 0	3:00
6	Mikhail KASIMOV	2	3	Maynor MOREIRA	10 - 0	0:00

Results

Pos	Name
1	Mikhail KASIMOV, USA/Samir Judo
2	Adam VESEY, USA/MQ
3	Ryan RAGUCCI, USA/Pedros
4	Maynor MOREIRA, USA/Legros

OSI 17/3 B3-M /-31

Competitors: 4

Competitors

#	Name	Club	1	2	3	4	Wins	Pts	Pos
1	Mantas MALINAUSKAS	USA/New Britain Judo					0	0	4
2	Daniel ABRAMOV	USA/Combat Sambo	10		10	7	3	27	1
3	Joseph GRIGORIAN	GEO/GWS	10				1	10	3
4	Gregory SHLEYGER	USA/Combat Sambo	10		7		2	17	2

Matches

Match	White		Blue		Result	Time
1	Mantas MALINAUSKAS	1	2	Daniel ABRAMOV	0 - 10	0:36
2	Joseph GRIGORIAN	3	4	Gregory SHLEYGER	0 - 7	3:00
3	Mantas MALINAUSKAS	1	3	Joseph GRIGORIAN	0 - 10	0:13
4	Daniel ABRAMOV	2	4	Gregory SHLEYGER	7 - 0	3:00
5	Mantas MALINAUSKAS	1	4	Gregory SHLEYGER	0 - 10	0:27
6	Daniel ABRAMOV	2	3	Joseph GRIGORIAN	10 - 0	3:00

Results

Pos	Name
1	Daniel ABRAMOV, USA/Combat Sambo
2	Gregory SHLEYGER, USA/Combat Sambo
3	Joseph GRIGORIAN, GEO/GWS
4	Mantas MALINAUSKAS, USA/New Britain Judo

OSI 17/3 B3-M /-35

Competitors: 4

Competitors

#	Name	Club	1	2	3	4	Wins	Pts	Pos
1	Eli NOVOSELOV	USA/Combat Sambo		10	10	10	3	30	1
2	Ewan NOSOVSKIY-STAMBLER	USA/MQ				10	1	10	3
3	Maxim MADREVICS	GEO/Georgian Judo		10		10	2	20	2
4	Tyson CARROLL	USA/Kokushi					0	0	4

Matches

Match	White		Blue	Result	Time
1	Eli NOVOSELOV	1	2	Ewan NOSOVSKIY-STAMBLER	10 - 0 0:30
2	Maxim MADREVICS	3	4	Tyson CARROLL	10 - 0 0:00
3	Eli NOVOSELOV	1	3	Maxim MADREVICS	10 - 0 0:46
4	Ewan NOSOVSKIY-STAMBLER	2	4	Tyson CARROLL	10 - 0 0:00
5	Eli NOVOSELOV	1	4	Tyson CARROLL	10 - 0 0:00
6	Ewan NOSOVSKIY-STAMBLER	2	3	Maxim MADREVICS	0 - 10 1:01

Results

Pos	Name
1	Eli NOVOSELOV, USA/Combat Sambo
2	Maxim MADREVICS, GEO/Georgian Judo
3	Ewan NOSOVSKIY-STAMBLER, USA/MQ
4	Tyson CARROLL, USA/Kokushi

OSI 17/3 Int1-F /-30

Competitors: 3

Competitors

#	Name	Club	1	2	3	Wins	Pts	Pos
1	Lahna HARAI	USA/Ippon Judo			5	1	5	2
2	Saisha MORALES	USA/Ippon Judo	10		10	2	20	1
3	Alexa MICHAELSON	USA/JMJC				0	0	3

Matches

Match	White			Blue	Result	Time
1	Lahna HARAI	1	2	Saisha MORALES	0 - 10	0:58
2	Lahna HARAI	1	3	Alexa MICHAELSON	5 - 0	3:00
3	Saisha MORALES	2	3	Alexa MICHAELSON	10 - 0	0:36

Results

Pos	Name
1	Saisha MORALES, USA/Ippon Judo
2	Lahna HARAI, USA/Ippon Judo
3	Alexa MICHAELSON, USA/JMJC

OSI 17/3 Int1-F /-34

Competitors: 2

Competitors

#	Name	Club	1	2	1	2	1	2	Wins	Pts	Pos
1	Rozalynn SMITH	USA/Valiant							0	0	1
2	? UNCONTESTED								0	0	2

Matches

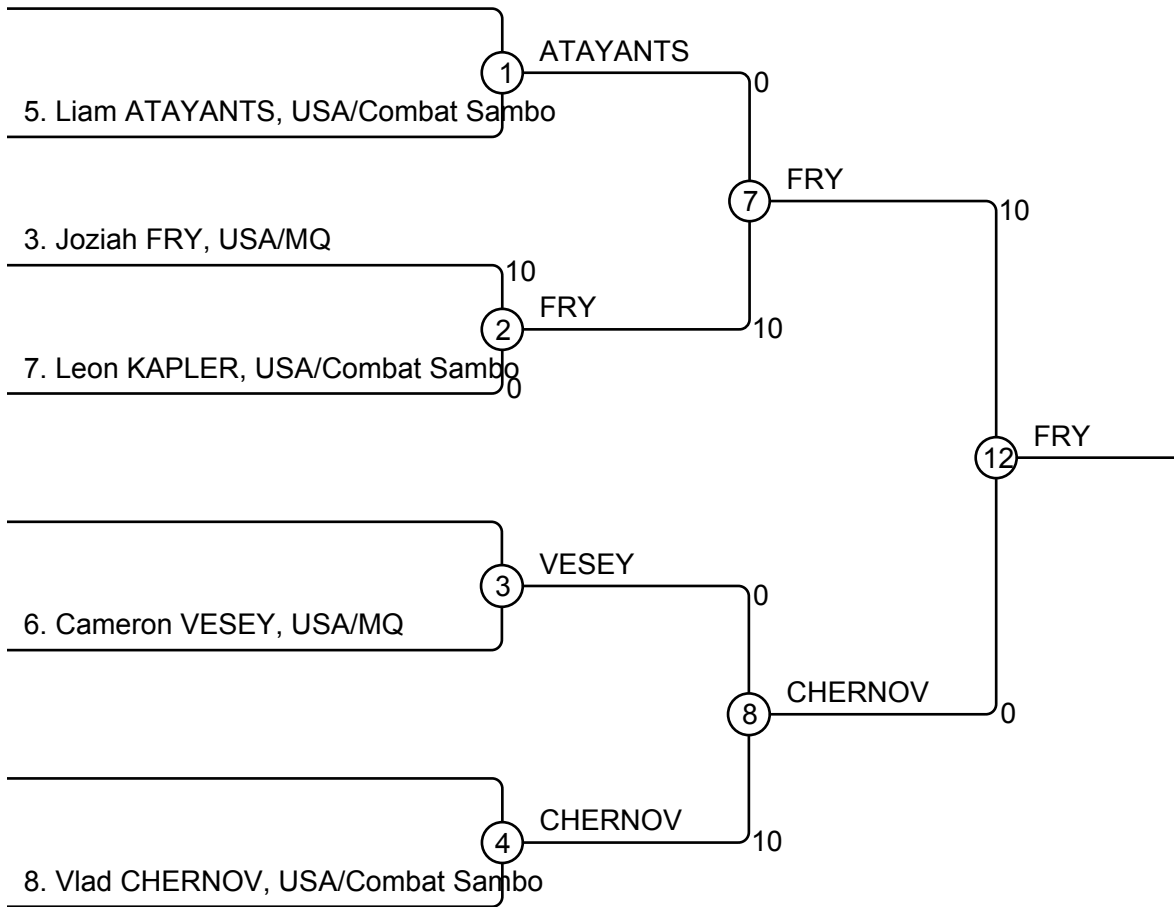
Match	White	Blue	Result	Time
1	Rozalynn SMITH	1 2	? UNCONTESTED	
2	Rozalynn SMITH	1 2	? UNCONTESTED	
3	Rozalynn SMITH	1 2	? UNCONTESTED	

Results

Pos	Name
1	Rozalynn SMITH, USA/Valiant
2	? UNCONTESTED,

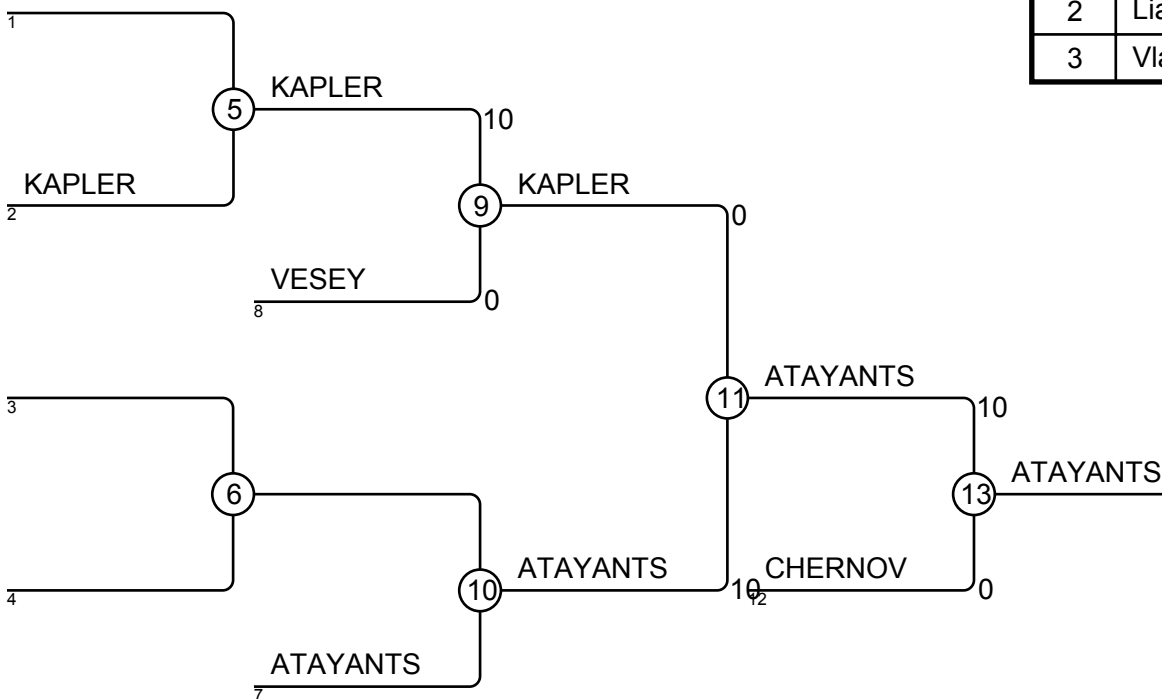
OSI 17/3 Int1-M /-26

Competitors: 5



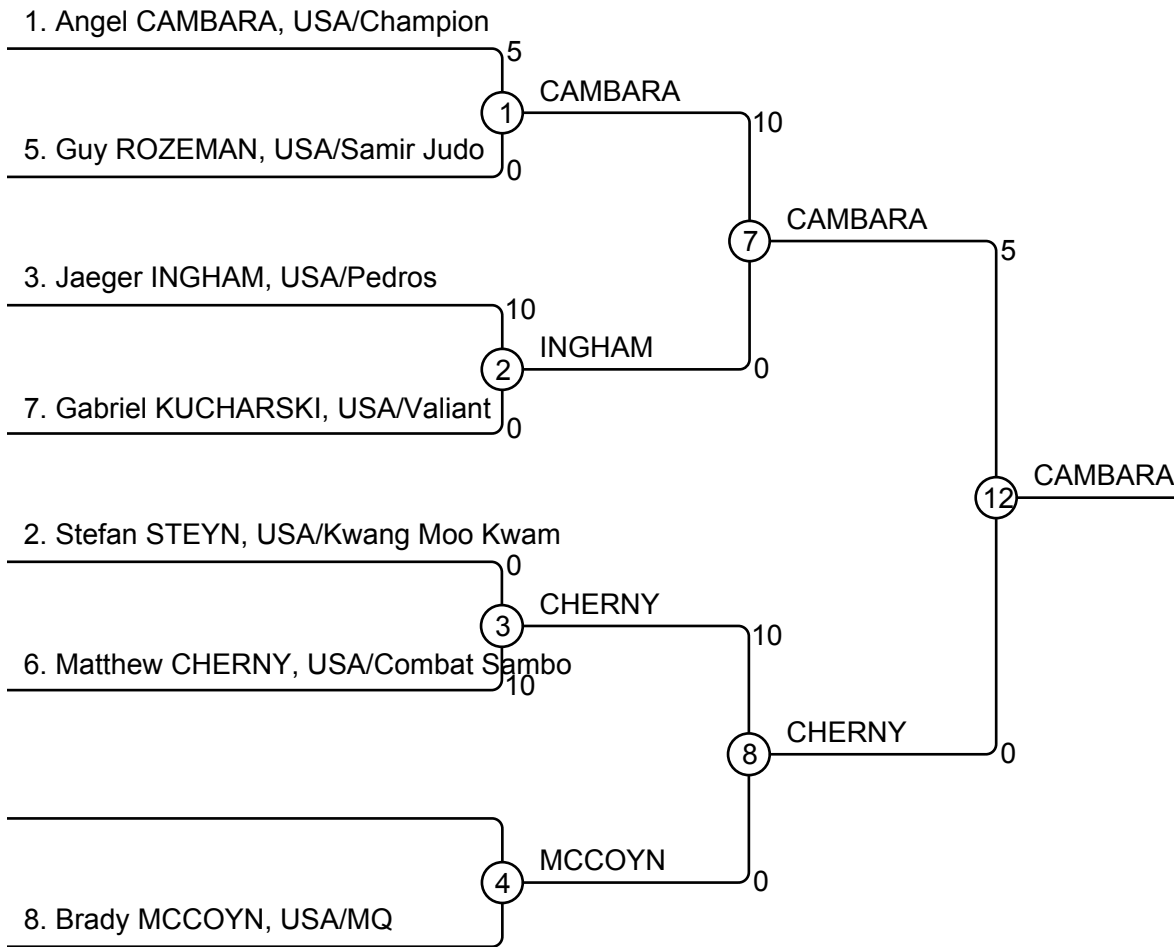
Results

Pos	Name
1	Joziah FRY, USA/MQ
2	Liam ATAYANTS, USA/Combat Sambo
3	Vlad CHERNOV, USA/Combat Sambo



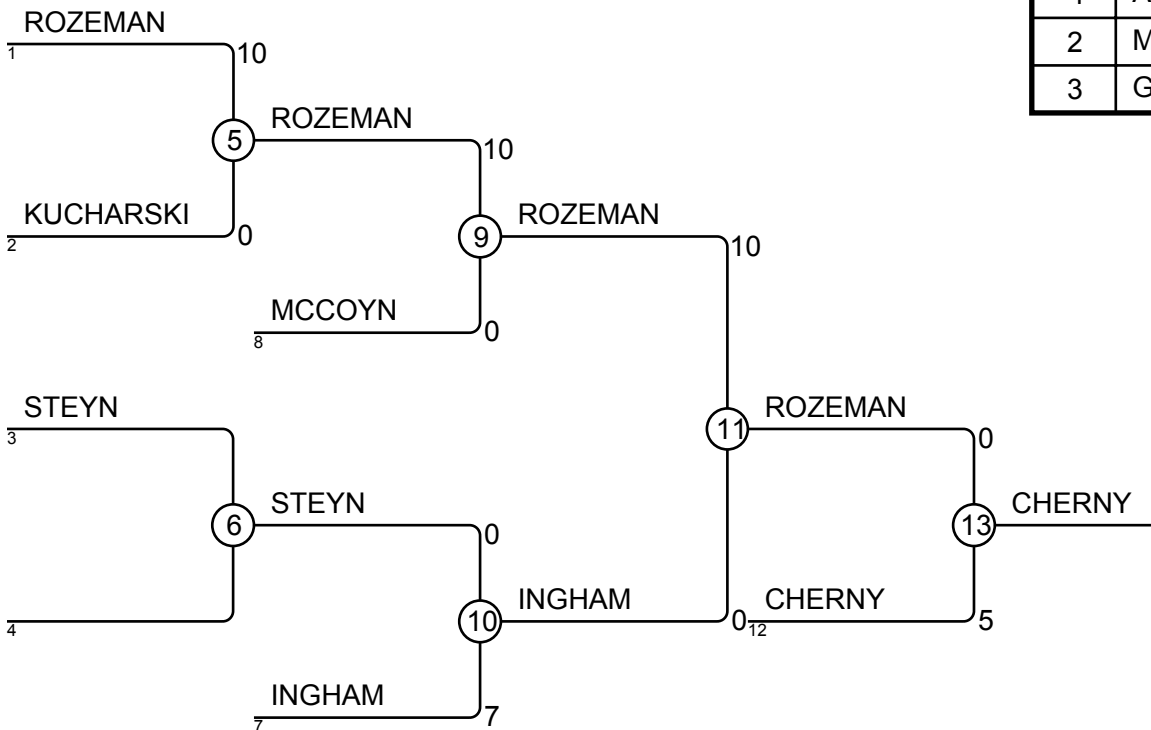
OSI 17/3 Int1-M /-30

Competitors: 7



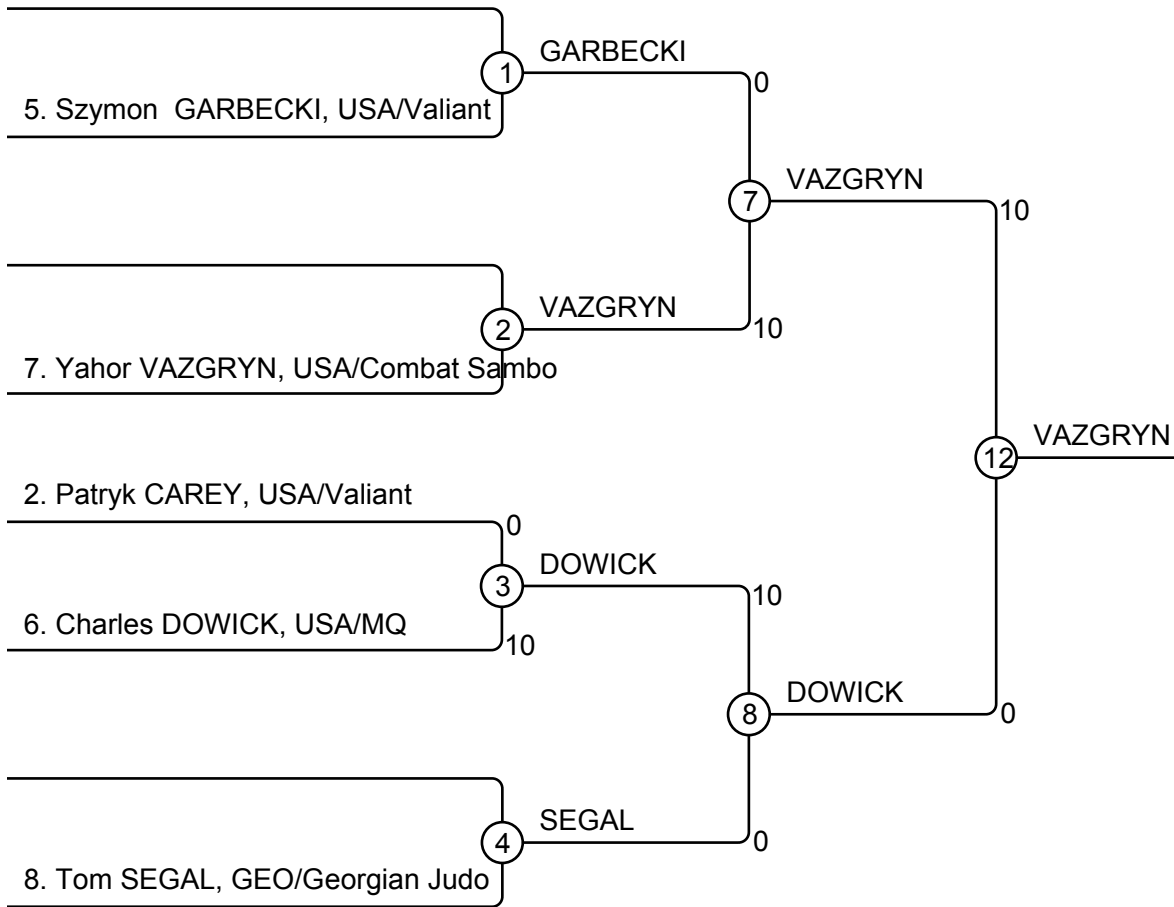
Results

Pos	Name
1	Angel CAMBARA, USA/Champion
2	Matthew CHERNY, USA/Combat Sambo
3	Guy ROZEMAN, USA/Samir Judo



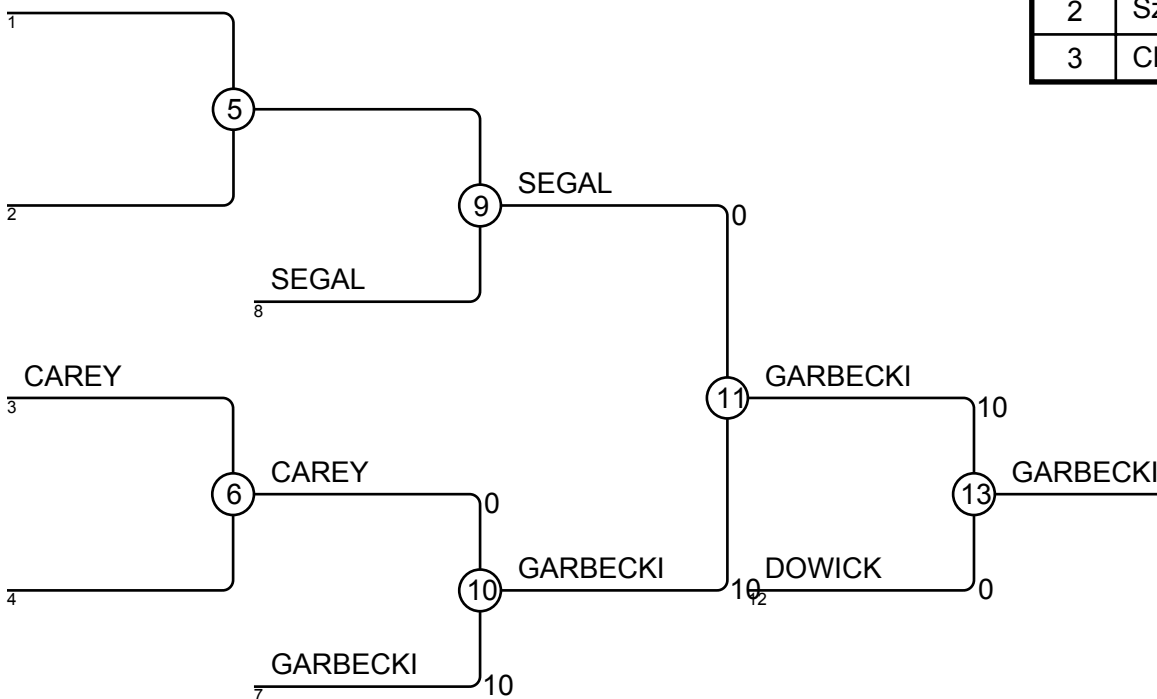
OSI 17/3 Int1-M /-34

Competitors: 5



Results

Pos	Name
1	Yahor VAZGRYN, USA/Combat Sambo
2	Szymon GARBECKI, USA/Valiant
3	Charles DOWICK, USA/MQ



OSI 17/3 Int1-M /-38

Competitors: 4

Competitors

#	Name	Club	1	2	3	4	Wins	Pts	Pos
1	Mark SINAY	USA/Samir Judo		10		5	2	15	2
2	Farruh TURAGOVA	USA/Kokushikai					0	0	4
3	Joseph MASTROFINE	USA/MQ	10	10		10	3	30	1
4	Erick SRULEVICH	GEO/Georgian Judo		5			1	5	3

Matches

Match	White		Blue		Result	Time
1	Mark SINAY	1	2	Farruh TURAGOVA	10 - 0	1:04
2	Joseph MASTROFINE	3	4	Erick SRULEVICH	10 - 0	0:24
3	Mark SINAY	1	3	Joseph MASTROFINE	0 - 10	0:27
4	Farruh TURAGOVA	2	4	Erick SRULEVICH	0 - 5	3:00
5	Mark SINAY	1	4	Erick SRULEVICH	5 - 0	3:00
6	Farruh TURAGOVA	2	3	Joseph MASTROFINE	0 - 10	0:19

Results

Pos	Name
1	Joseph MASTROFINE, USA/MQ
2	Mark SINAY, USA/Samir Judo
3	Erick SRULEVICH, GEO/Georgian Judo
4	Farruh TURAGOVA, USA/Kokushikai

OSI 17/3 Int1-M /-43

Competitors: 2

Competitors

#	Name	Club	1	2	1	2	1	2	Wins	Pts	Pos
1	Alin DEMIROVIC	USA/GSJI							0	0	2
2	Benjamin LEVIN	USA/Samir Judo	10		10				2	20	1

Matches

Match	White		Blue	Result	Time
1	Alin DEMIROVIC	1 2	Benjamin LEVIN	0 - 10	2:35
2	Alin DEMIROVIC	1 2	Benjamin LEVIN	0 - 10	1:57
3	Alin DEMIROVIC	1 2	Benjamin LEVIN		

Results

Pos	Name
1	Benjamin LEVIN, USA/Samir Judo
2	Alin DEMIROVIC, USA/GSJI

OSI 17/3 Int1-M /- +43

Competitors: 4

Competitors

#	Name	Club	1	2	3	4	Wins	Pts	Pos
1	Yannick KAPPERS	USA/GSJI			10		1	10	2
2	Thomas GRIGORIAN	GEO/GWS	10		10		2	20	1
3	Noah GONZALEZ	USA/Legros					0	0	3
4	Saba GABISONIA	GEO/GWS					0	0	4

Matches

Match	White		Blue	Result	Time	
1	Yannick KAPPERS	1	2	Thomas GRIGORIAN	0 - 10	0:58
2	Noah GONZALEZ	3	4	Saba GABISONIA		
3	Yannick KAPPERS	1	3	Noah GONZALEZ	10 - 0	0:40
4	Thomas GRIGORIAN	2	4	Saba GABISONIA		
5	Yannick KAPPERS	1	4	Saba GABISONIA		
6	Thomas GRIGORIAN	2	3	Noah GONZALEZ	10 - 0	0:44

Results

Pos	Name
1	Thomas GRIGORIAN, GEO/GWS
2	Yannick KAPPERS, USA/GSJI
3	Noah GONZALEZ, USA/Legros
4	Saba GABISONIA, GEO/GWS

OSI 17/3 Int2-F /-31

Competitors: 2

Competitors

#	Name	Club	1	2	1	2	1	2	Wins	Pts	Pos
1	Desiree FISETTE	USA/Phoenix Judo		10		10			2	20	1
2	Sarah MOUNTAIN	USA/MQ							0	0	2

Matches

Match	White		Blue	Result	Time	
1	Desiree FISETTE	1	2	Sarah MOUNTAIN	10 - 0	0:39
2	Desiree FISETTE	1	2	Sarah MOUNTAIN	10 - 0	2:27
3	Desiree FISETTE	1	2	Sarah MOUNTAIN		

Results

Pos	Name
1	Desiree FISETTE, USA/Phoenix Judo
2	Sarah MOUNTAIN, USA/MQ

OSI 17/3 Int2-F /-34

Competitors: 2

Competitors

#	Name	Club	1	2	1	2	1	2	Wins	Pts	Pos
1	Victoria GONCALVES	USA/War Memorial		10		10			2	20	1
2	Skyler CUMMINGS	USA/Kwang Moo Kwam							0	0	2

Matches

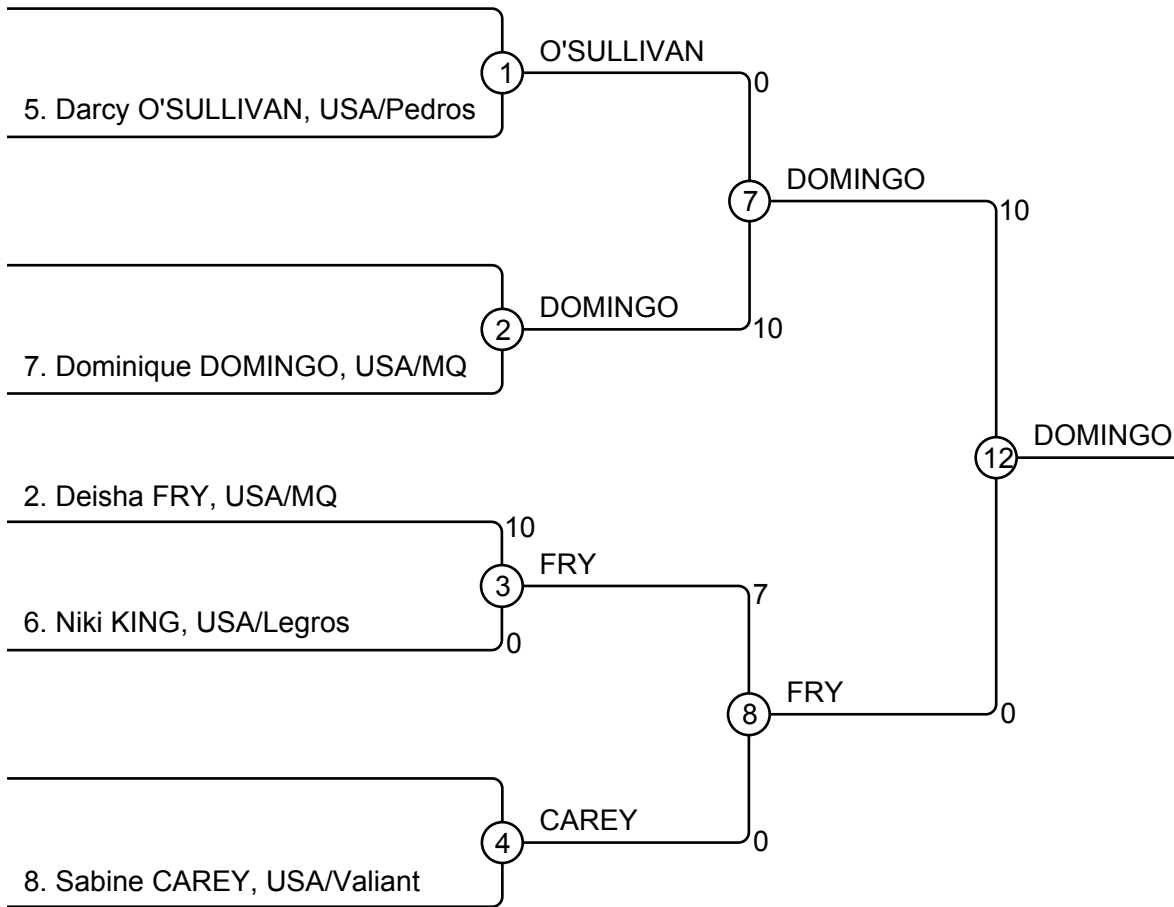
Match	White			Blue	Result	Time
1	Victoria GONCALVES	1	2	Skyler CUMMINGS	10 - 0	0:34
2	Victoria GONCALVES	1	2	Skyler CUMMINGS	10 - 0	0:30
3	Victoria GONCALVES	1	2	Skyler CUMMINGS		

Results

Pos	Name
1	Victoria GONCALVES, USA/War Memorial
2	Skyler CUMMINGS, USA/Kwang Moo Kwam

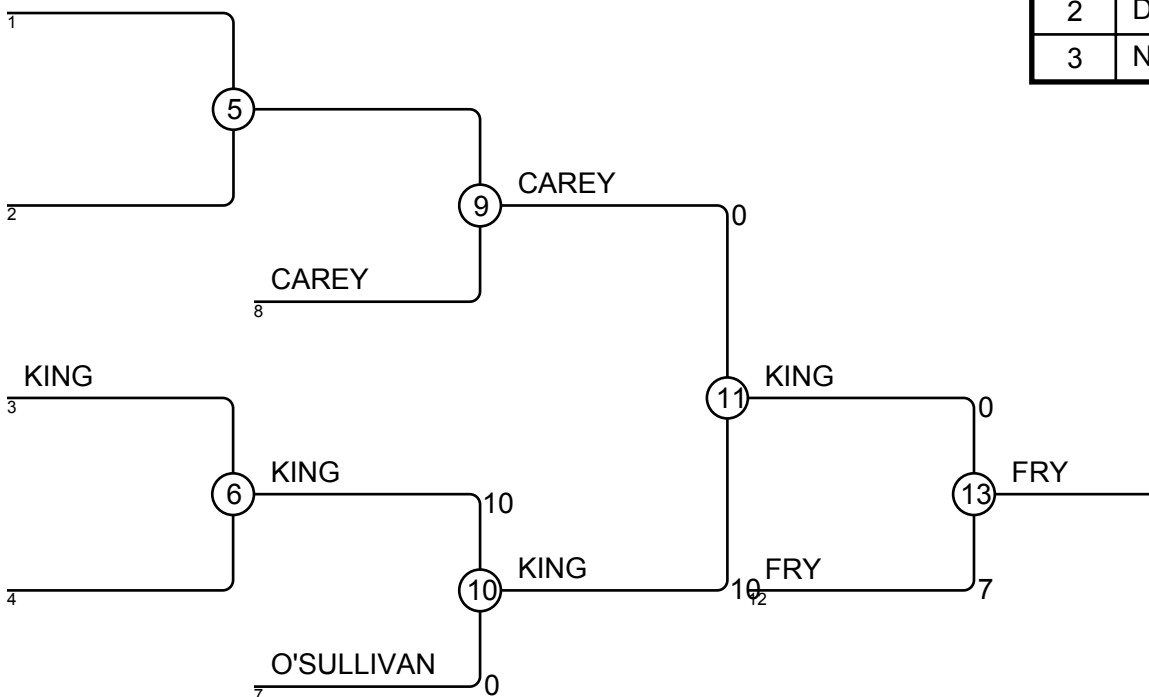
OSI 17/3 Int2-F /-38

Competitors: 5



Results

Pos	Name
1	Dominique DOMINGO, USA/MQ
2	Deisha FRY, USA/MQ
3	Niki KING, USA/Legros



OSI 17/3 Int2-F /-42

Competitors: 2

Competitors

#	Name	Club	1	2	1	2	1	2	Wins	Pts	Pos
1	Kira MOHR	USA/MQ		5		10			2	15	1
2	Nicole GONIK	USA/Combat Sambo							0	0	2

Matches

Match	White		Blue	Result	Time	
1	Kira MOHR	1	2	Nicole GONIK	5 - 0	3:50
2	Kira MOHR	1	2	Nicole GONIK	10 - 0	0:26
3	Kira MOHR	1	2	Nicole GONIK		

Results

Pos	Name
1	Kira MOHR, USA/MQ
2	Nicole GONIK, USA/Combat Sambo

OSI 17/3 Int2-F /-52

Competitors: 2

Competitors

#	Name	Club	1	2	1	2	1	2	Wins	Pts	Pos
1	Clarise PALMER-OJITO	USA/Ojito							0	0	1
2	? UNCONTESTED								0	0	2

Matches

Match	White		Blue	Result	Time
1	Clarise PALMER-OJITO	1	2	? UNCONTESTED	
2	Clarise PALMER-OJITO	1	2	? UNCONTESTED	
3	Clarise PALMER-OJITO	1	2	? UNCONTESTED	

Results

Pos	Name
1	Clarise PALMER-OJITO, USA/Ojito
2	? UNCONTESTED,

OSI 17/3 Int2-F /- +52

Competitors: 2

Competitors

#	Name	Club	1	2	1	2	1	2	Wins	Pts	Pos
1	? UNCONTESTED								0	0	2
2	Maya MLYNARSKA	USA/Valiant							0	0	1

Matches

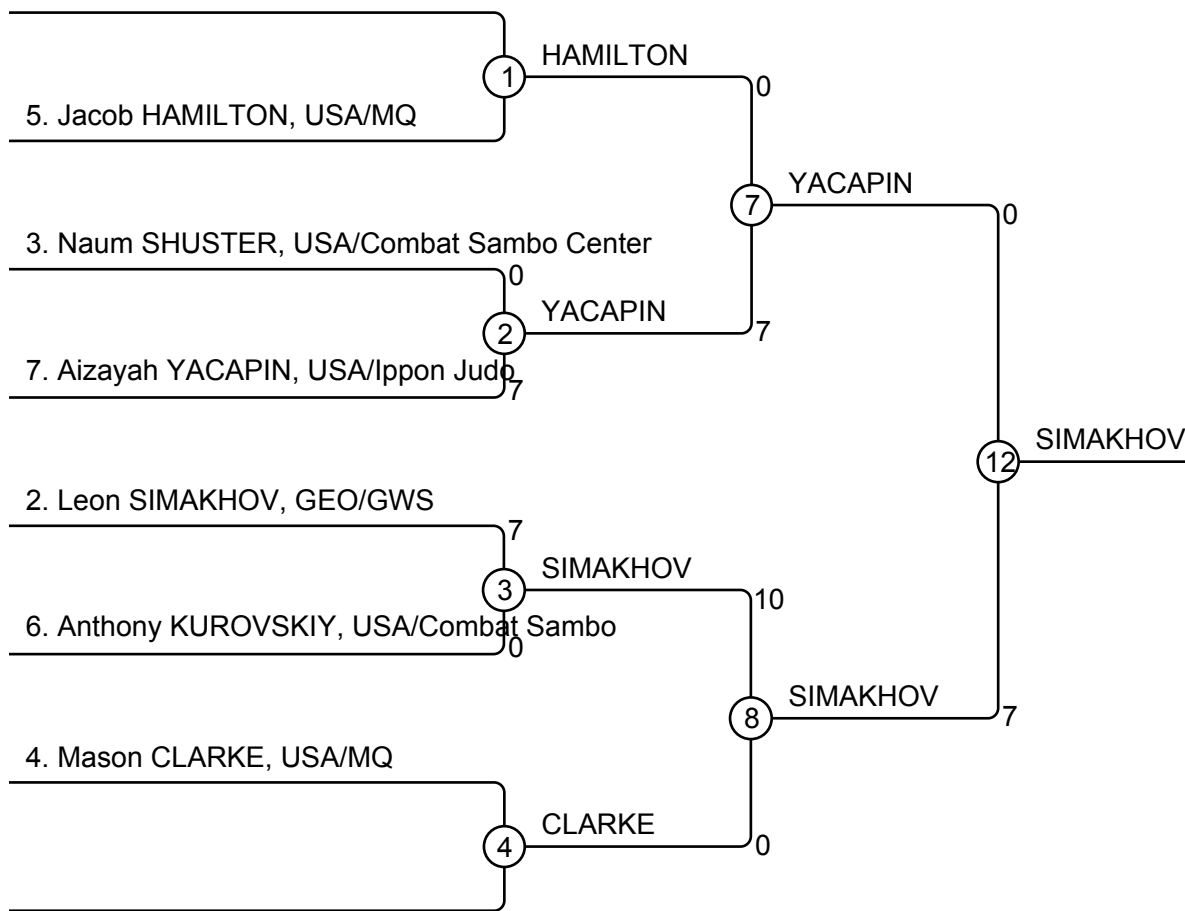
Match	White			Blue	Result	Time
1	? UNCONTESTED	1	2	Maya MLYNARSKA		
2	? UNCONTESTED	1	2	Maya MLYNARSKA		
3	? UNCONTESTED	1	2	Maya MLYNARSKA		

Results

Pos	Name
1	Maya MLYNARSKA, USA/Valiant
2	? UNCONTESTED,

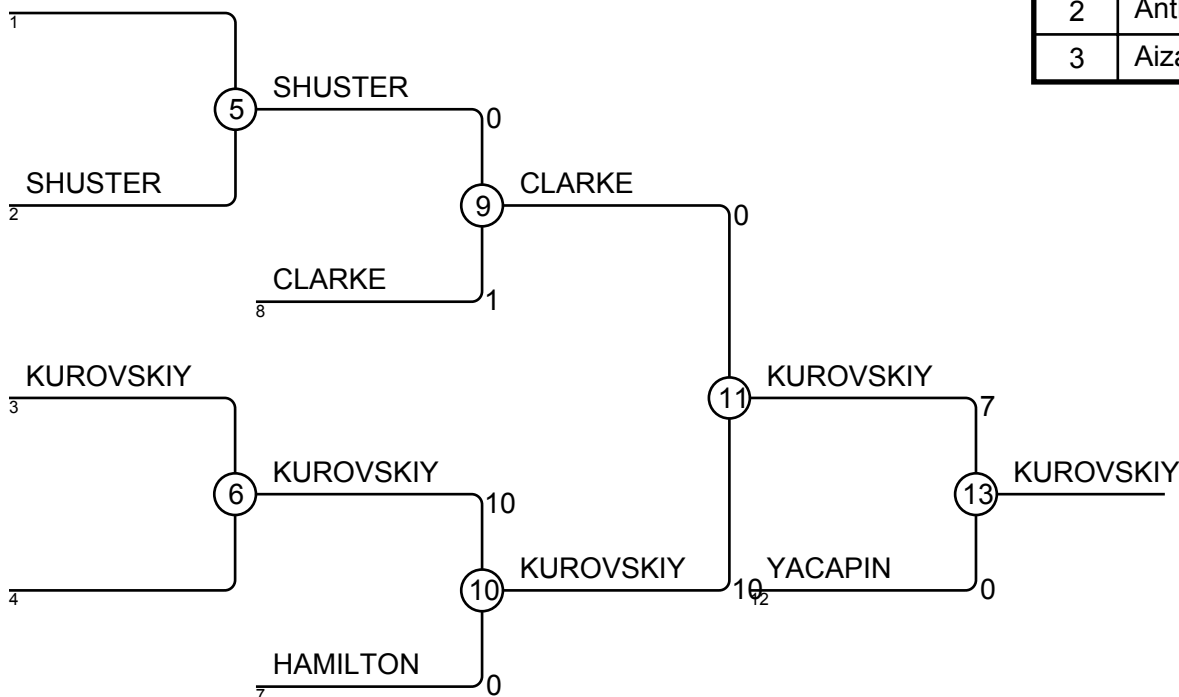
OSI 17/3 Int2-M /-31

Competitors: 6



Results

Pos	Name
1	Leon SIMAKHOV, GEO/GWS
2	Anthony KUROVSKIY, USA/Combat Sambo
3	Aizayah YACAPIN, USA/Ippon Judo



OSI 17/3 Int2-M /-34

Competitors: 2

Competitors

#	Name	Club	1	2	1	2	1	2	Wins	Pts	Pos
1	Timothy LABOUNKO	USA/Tohoku							0	0	2
2	Justin VODOFF	USA/Combat Sambo	7		10				2	17	1

Matches

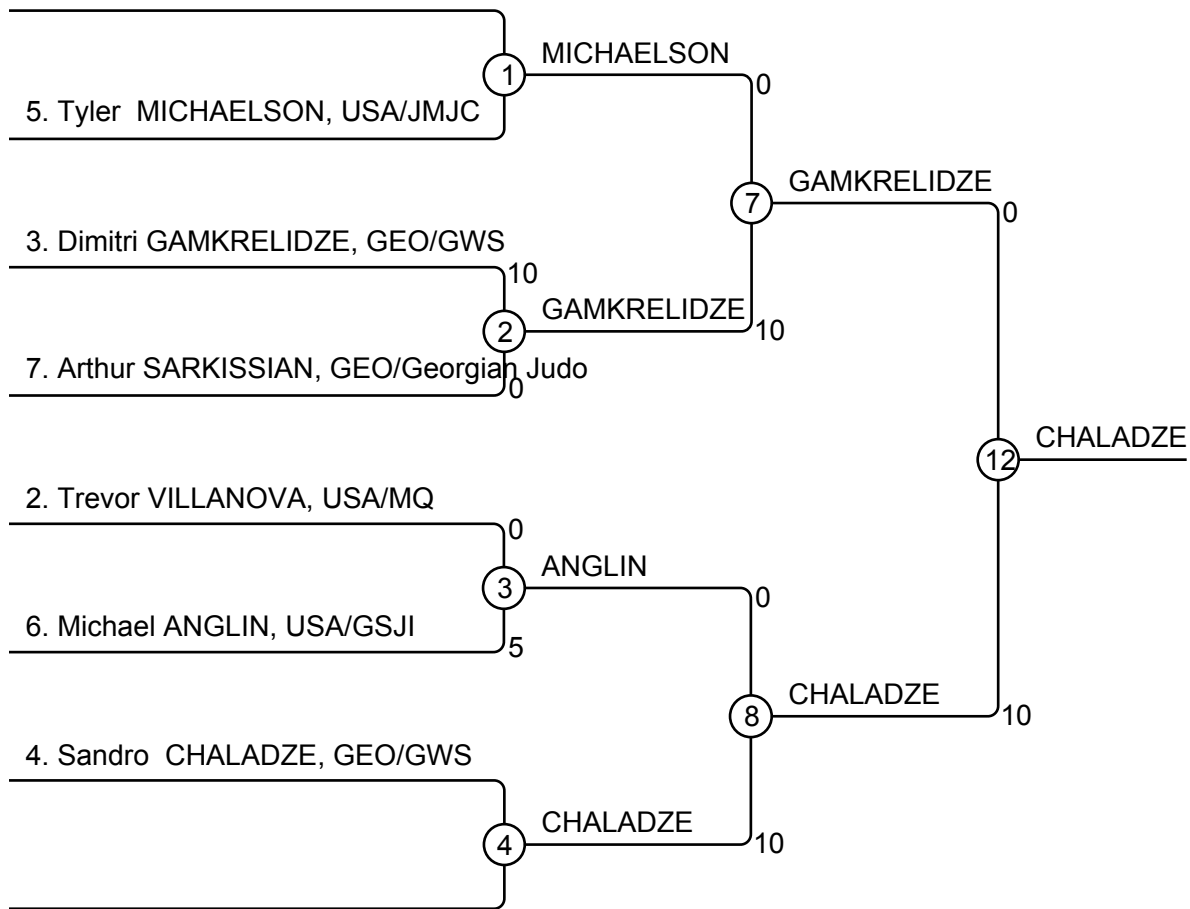
Match	White		Blue	Result	Time
1	Timothy LABOUNKO	1 2	Justin VODOFF	0 - 7	3:00
2	Timothy LABOUNKO	1 2	Justin VODOFF	0 - 10	1:33
3	Timothy LABOUNKO	1 2	Justin VODOFF		

Results

Pos	Name
1	Justin VODOFF, USA/Combat Sambo
2	Timothy LABOUNKO, USA/Tohoku

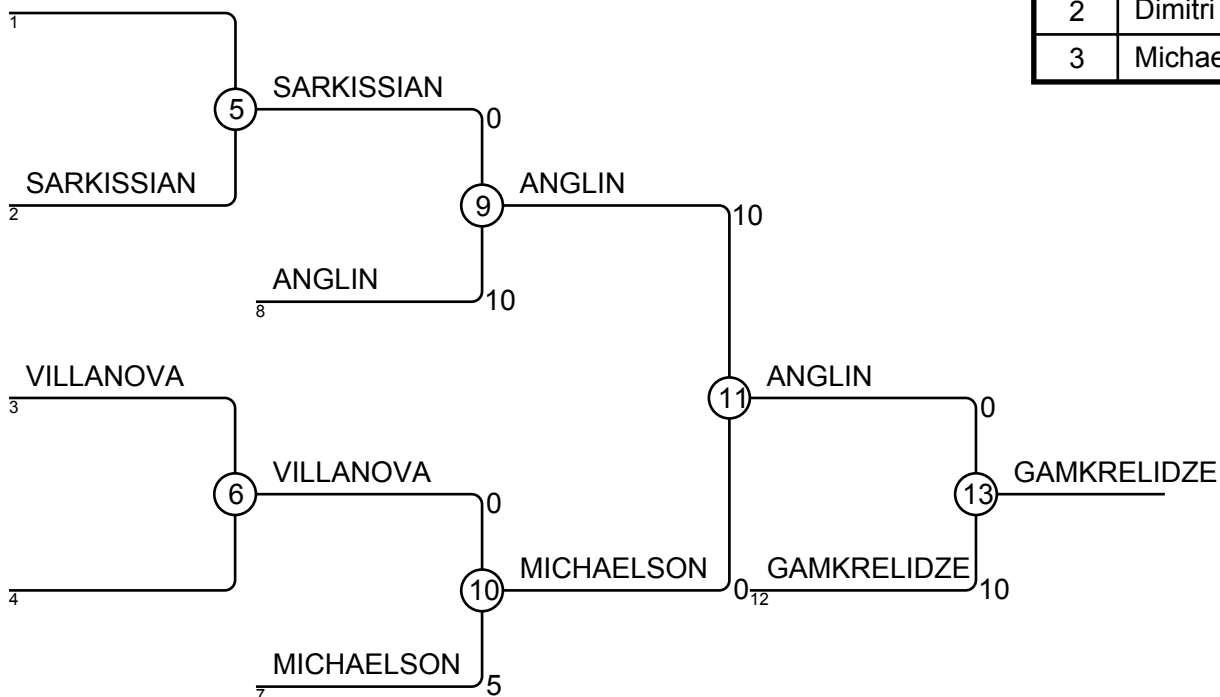
OSI 17/3 Int2-M /-38

Competitors: 6



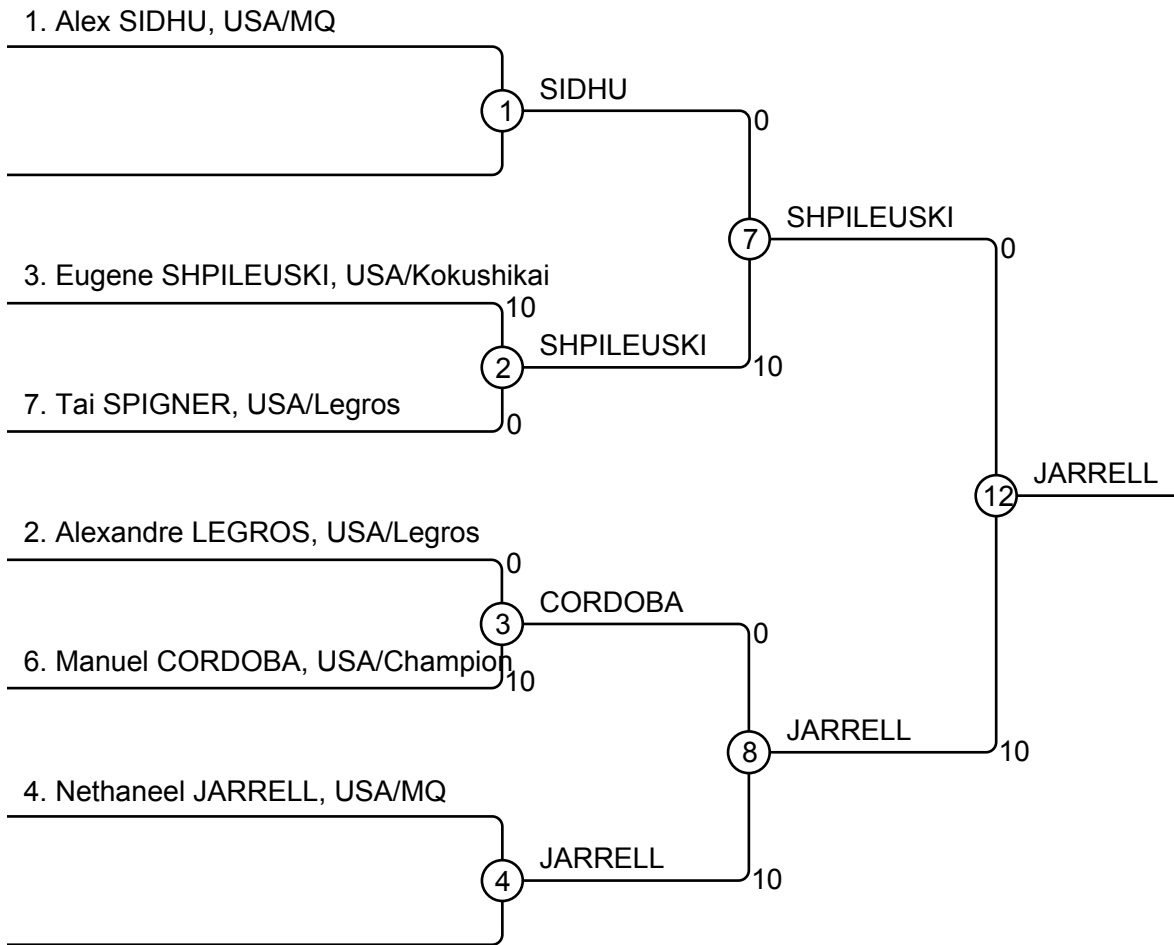
Results

Pos	Name
1	Sandro CHALADZE, GEO/GWS
2	Dimitri GAMKRELIDZE, GEO/GWS
3	Michael ANGLIN, USA/GSJI



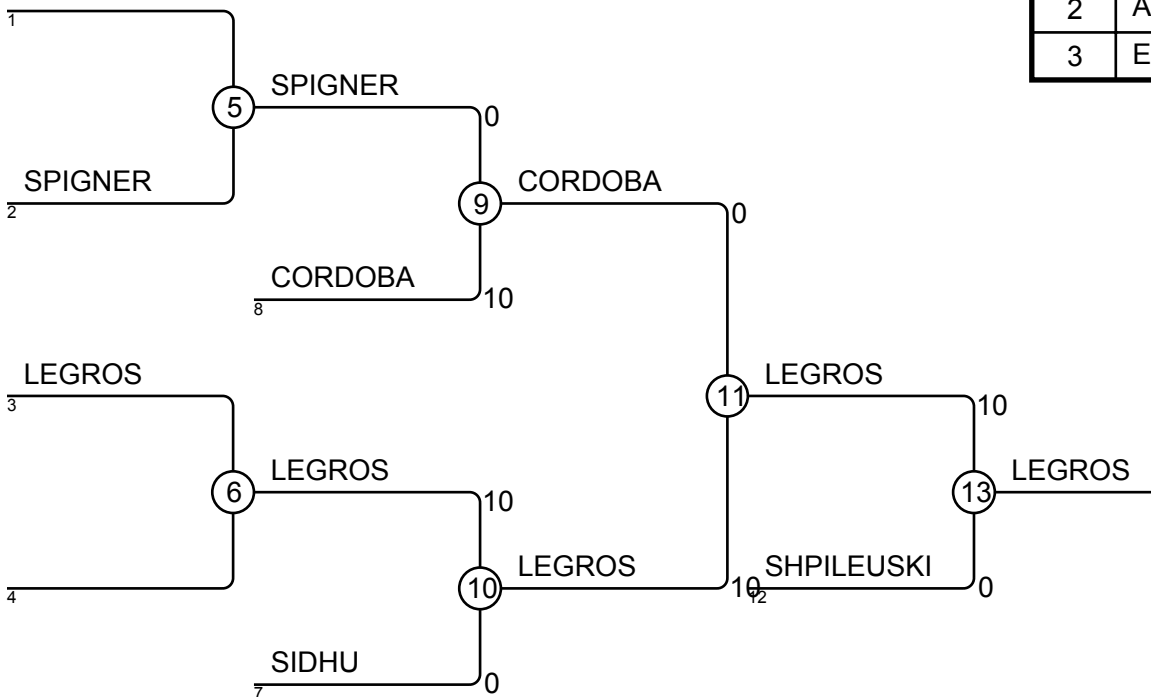
OSI 17/3 Int2-M /-42

Competitors: 7



Results

Pos	Name
1	Nethaneel JARRELL, USA/MQ
2	Alexandre LEGROS, USA/Legros
3	Eugene SHPILEUSKI, USA/Kokushikai



OSI 17/3 Int2-M /-47

Competitors: 3

Competitors

#	Name	Club	1	2	3	Wins	Pts	Pos
1	Edward KAM	GEO/GWS			10	1	10	2
2	Russel CHESKIY	GEO/GWS	5		10	2	15	1
3	Daniel SHLEYGER	USA/Combat Sambo				0	0	3

Matches

Match	White			Blue	Result	Time
1	Edward KAM	1	2	Russel CHESKIY	0 - 5	3:00
2	Edward KAM	1	3	Daniel SHLEYGER	10 - 0	3:00
3	Russel CHESKIY	2	3	Daniel SHLEYGER	10 - 0	2:38

Results

Pos	Name
1	Russel CHESKIY, GEO/GWS
2	Edward KAM, GEO/GWS
3	Daniel SHLEYGER, USA/Combat Sambo

OSI 17/3 Int2-M /-52

Competitors: 3

Competitors

#	Name	Club	1	2	3	Wins	Pts	Pos
1	Nikita AFANASYEV	GEO/GWS		1		1	1	3
2	Leo RABINOVICH	USA/Combat Sambo			10	1	10	1
3	Giorgi TSIKLARI	GEO/GWS	10			1	10	2

Matches

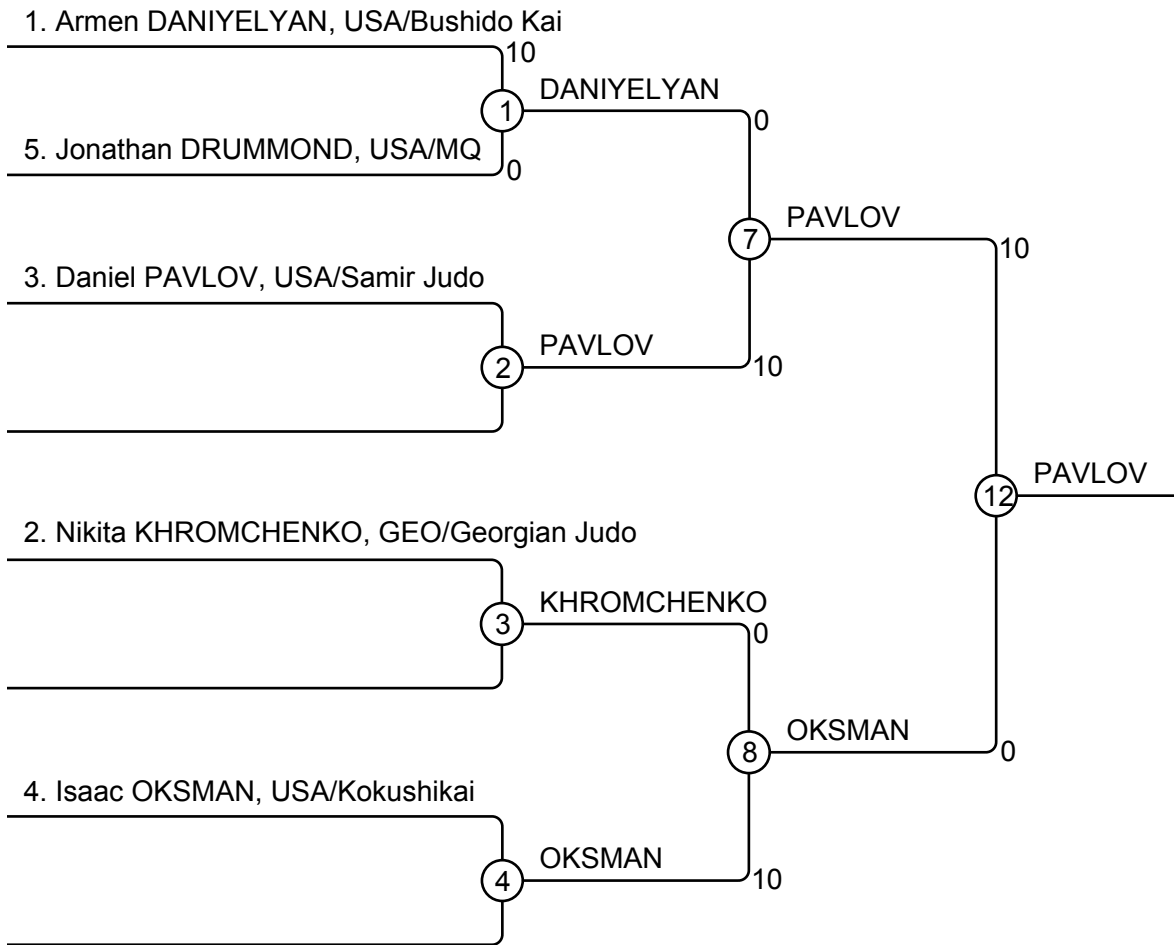
Match	White			Blue	Result	Time
1	Nikita AFANASYEV	1	2	Leo RABINOVICH	1 - 0	5:00
2	Nikita AFANASYEV	1	3	Giorgi TSIKLARI	0 - 10	2:31
3	Leo RABINOVICH	2	3	Giorgi TSIKLARI	10 - 0	1:46

Results

Pos	Name
1	Leo RABINOVICH, USA/Combat Sambo
2	Giorgi TSIKLARI, GEO/GWS
3	Nikita AFANASYEV, GEO/GWS

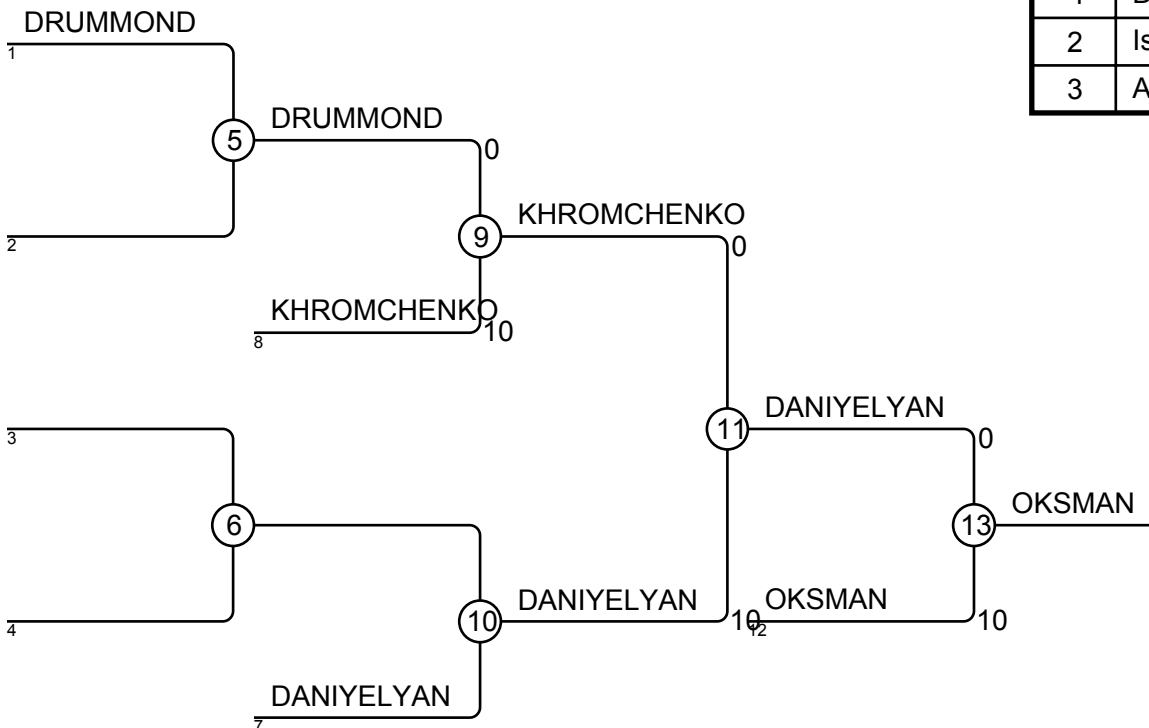
OSI 17/3 Int2-M /- +52

Competitors: 5



Results

Pos	Name
1	Daniel PAVLOV, USA/Samir Judo
2	Isaac OKSMAN, USA/Kokushikai
3	Armen DANIYELLYAN, USA/Bushido I



OSI 17/3 JuvA-F /-44

Competitors: 2

Competitors

#	Name	Club	1	2	1	2	1	2	Wins	Pts	Pos
1	Nathalie RYGIELSKI	CAN/Budokan/Ajax							0	0	2
2	Erin REIM	CAN/Shidokan Judo	7		5				2	12	1

Matches

Match	White		Blue	Result	Time	
1	Nathalie RYGIELSKI	1	2	Erin REIM	0 - 7	3:00
2	Nathalie RYGIELSKI	1	2	Erin REIM	0 - 5	3:00
3	Nathalie RYGIELSKI	1	2	Erin REIM		

Results

Pos	Name
1	Erin REIM, CAN/Shidokan Judo
2	Nathalie RYGIELSKI, CAN/Budokan/Ajax

OSI 17/3 JuvA-F /-48

Competitors: 2

Competitors

#	Name	Club	1	2	1	2	1	2	Wins	Pts	Pos
1	Karolina LEWKO	USA/Valiant				10			1	10	2
2	Ashley HALL	USA/LISJ/JMJC	10					10	2	20	1

Matches

Match	White		Blue	Result	Time	
1	Karolina LEWKO	1	2	Ashley HALL	0 - 10	0:22
2	Karolina LEWKO	1	2	Ashley HALL	10 - 0	0:28
3	Karolina LEWKO	1	2	Ashley HALL	0 - 10	1:25

Results

Pos	Name
1	Ashley HALL, USA/LISJ/JMJC
2	Karolina LEWKO, USA/Valiant

OSI 17/3 JuvA-F /-53

Competitors: 3

Competitors

#	Name	Club	1	2	3	Wins	Pts	Pos
1	Vasila AKRAMOVA	USA/Kokushikai				0	0	3
2	Mercedes FAUST	USA/MQ	10		10	2	20	1
3	Gabrielle THIVIERGE	CAN/Quebec	10			1	10	2

Matches

Match	White			Blue	Result	Time
1	Vasila AKRAMOVA	1	2	Mercedes FAUST	0 - 10	0:18
2	Vasila AKRAMOVA	1	3	Gabrielle THIVIERGE	0 - 10	0:50
3	Mercedes FAUST	2	3	Gabrielle THIVIERGE	10 - 0	0:15

Results

Pos	Name
1	Mercedes FAUST, USA/MQ
2	Gabrielle THIVIERGE, CAN/Quebec
3	Vasila AKRAMOVA, USA/Kokushikai

OSI 17/3 JuvA-F /-58

Competitors: 3

Competitors

#	Name	Club	1	2	3	Wins	Pts	Pos
1	Iris MELENDEZ	USA/Valiant				0	0	3
2	Madison GEORES	USA/Blue Dragon	10		10	2	20	1
3	Natasha TORRES	USA/Camal	10			1	10	2

Matches

Match	White			Blue	Result	Time
1	Iris MELENDEZ	1	2	Madison GEORES	0 - 10	0:14
2	Iris MELENDEZ	1	3	Natasha TORRES	0 - 10	0:31
3	Madison GEORES	2	3	Natasha TORRES	10 - 0	1:56

Results

Pos	Name
1	Madison GEORES, USA/Blue Dragon
2	Natasha TORRES, USA/Camal
3	Iris MELENDEZ, USA/Valiant

OSI 17/3 JuvA-F /-58,0

Competitors: 3

Competitors

#	Name	Club	1	2	3	Wins	Pts	Pos
1	Madison GEORES	USA/Blue Dragon		10	10	2	20	1
2	Natasha TORRES	USA/Camal			10	1	10	2
3	Iris MELENDEZ	USA/Valiant				0	0	3

Matches

Match	White			Blue	Result	Time
1	Madison GEORES	1	2	Natasha TORRES	10 - 0	1:50
2	Madison GEORES	1	3	Iris MELENDEZ	10 - 0	0:00
3	Natasha TORRES	2	3	Iris MELENDEZ	10 - 0	0:00

Results

Pos	Name
1	Madison GEORES, USA/Blue Dragon
2	Natasha TORRES, USA/Camal
3	Iris MELENDEZ, USA/Valiant

OSI 17/3 JuvA-F /-64

Competitors: 3

Competitors

#	Name	Club	1	2	3	Wins	Pts	Pos
1	Kaelin O'SULLIVAN	USA/Pedros		10	7	2	17	1
2	Victoria HOARD	USA/MQ				0	0	3
3	Gabrielle PROKSA	USA/GSJI		10		1	10	2

Matches

Match	White		Blue		Result	Time
1	Kaelin O'SULLIVAN	1 2	Victoria HOARD		10 - 0	0:23
2	Kaelin O'SULLIVAN	1 3	Gabrielle PROKSA		7 - 0	3:39
3	Victoria HOARD	2 3	Gabrielle PROKSA		0 - 10	1:41

Results

Pos	Name
1	Kaelin O'SULLIVAN, USA/Pedros
2	Gabrielle PROKSA, USA/GSJI
3	Victoria HOARD, USA/MQ

OSI 17/3 JuvA-M /-36

Competitors: 4

Competitors

#	Name	Club	1	2	3	4	Wins	Pts	Pos
1	Isaac HARAI	USA/Ippon Judo		10	10	10	3	30	1
2	Vlad ZALTSMAN	USA/Combat Sambo					0	0	4
3	Noah YOUNG	USA/MQ		10		10	2	20	2
4	Thomas MOUNTAIN	USA/MQ		10			1	10	3

Matches

Match	White		Blue		Result	Time
1	Isaac HARAI	1	2	Vlad ZALTSMAN	10 - 0	4:27
2	Noah YOUNG	3	4	Thomas MOUNTAIN	10 - 0	0:38
3	Isaac HARAI	1	3	Noah YOUNG	10 - 0	0:48
4	Vlad ZALTSMAN	2	4	Thomas MOUNTAIN	0 - 10	0:13
5	Isaac HARAI	1	4	Thomas MOUNTAIN	10 - 0	0:44
6	Vlad ZALTSMAN	2	3	Noah YOUNG	0 - 10	1:31

Results

Pos	Name
1	Isaac HARAI, USA/Ippon Judo
2	Noah YOUNG, USA/MQ
3	Thomas MOUNTAIN, USA/MQ
4	Vlad ZALTSMAN, USA/Combat Sambo

OSI 17/3 JuvA-M /-40

Competitors: 4

Competitors

#	Name	Club	1	2	3	4	Wins	Pts	Pos
1	Nika TSIGNADZE	GEO/Georgian Judo				10	1	10	3
2	Mathieu BOUCHARD	CAN/Quebec	10		10	10	3	30	1
3	Emmanuel FURMAN	USA/Combat Sambo	10			10	2	20	2
4	Robbie LOBIANCO	USA/MQ					0	0	4

Matches

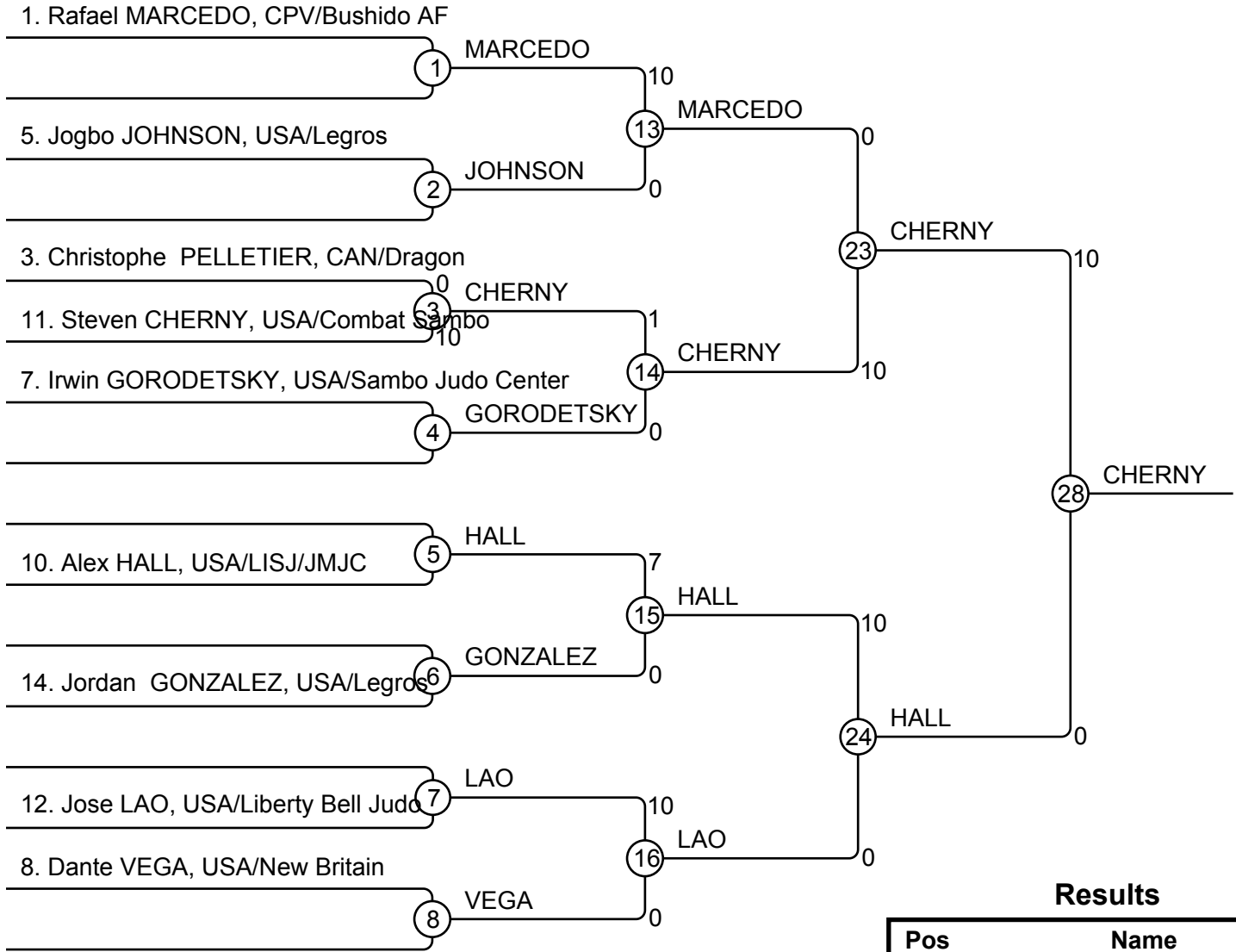
Match	White		Blue		Result	Time
1	Nika TSIGNADZE	1	2	Mathieu BOUCHARD	0 - 10	0:43
2	Emmanuel FURMAN	3	4	Robbie LOBIANCO	10 - 0	0:55
3	Nika TSIGNADZE	1	3	Emmanuel FURMAN	0 - 10	1:55
4	Mathieu BOUCHARD	2	4	Robbie LOBIANCO	10 - 0	0:17
5	Nika TSIGNADZE	1	4	Robbie LOBIANCO	10 - 0	2:16
6	Mathieu BOUCHARD	2	3	Emmanuel FURMAN	10 - 0	2:09

Results

Pos	Name
1	Mathieu BOUCHARD, CAN/Quebec
2	Emmanuel FURMAN, USA/Combat Sambo
3	Nika TSIGNADZE, GEO/Georgian Judo
4	Robbie LOBIANCO, USA/MQ

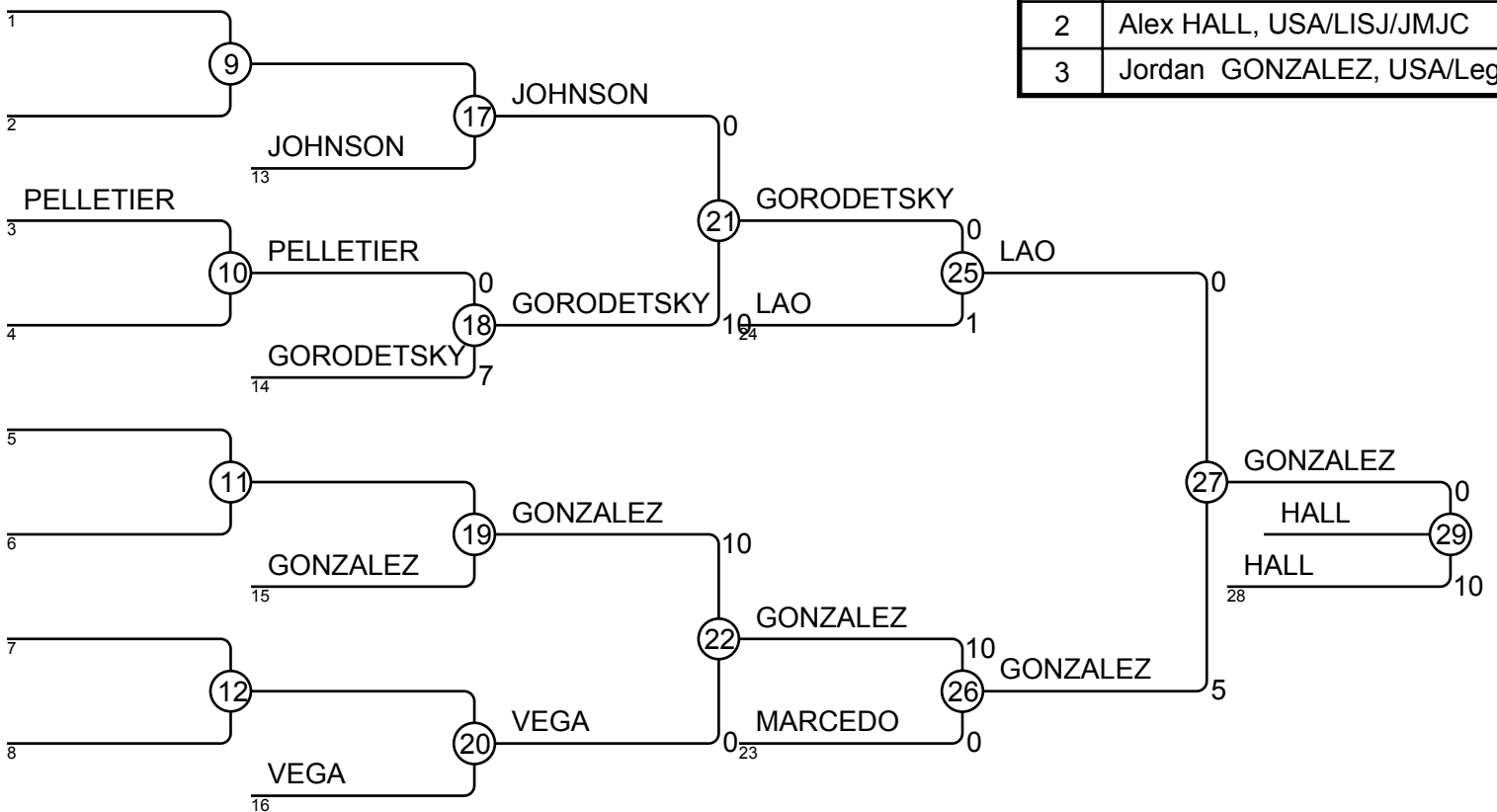
OSI 17/3 JuvA-M /-48

Competitors: 9



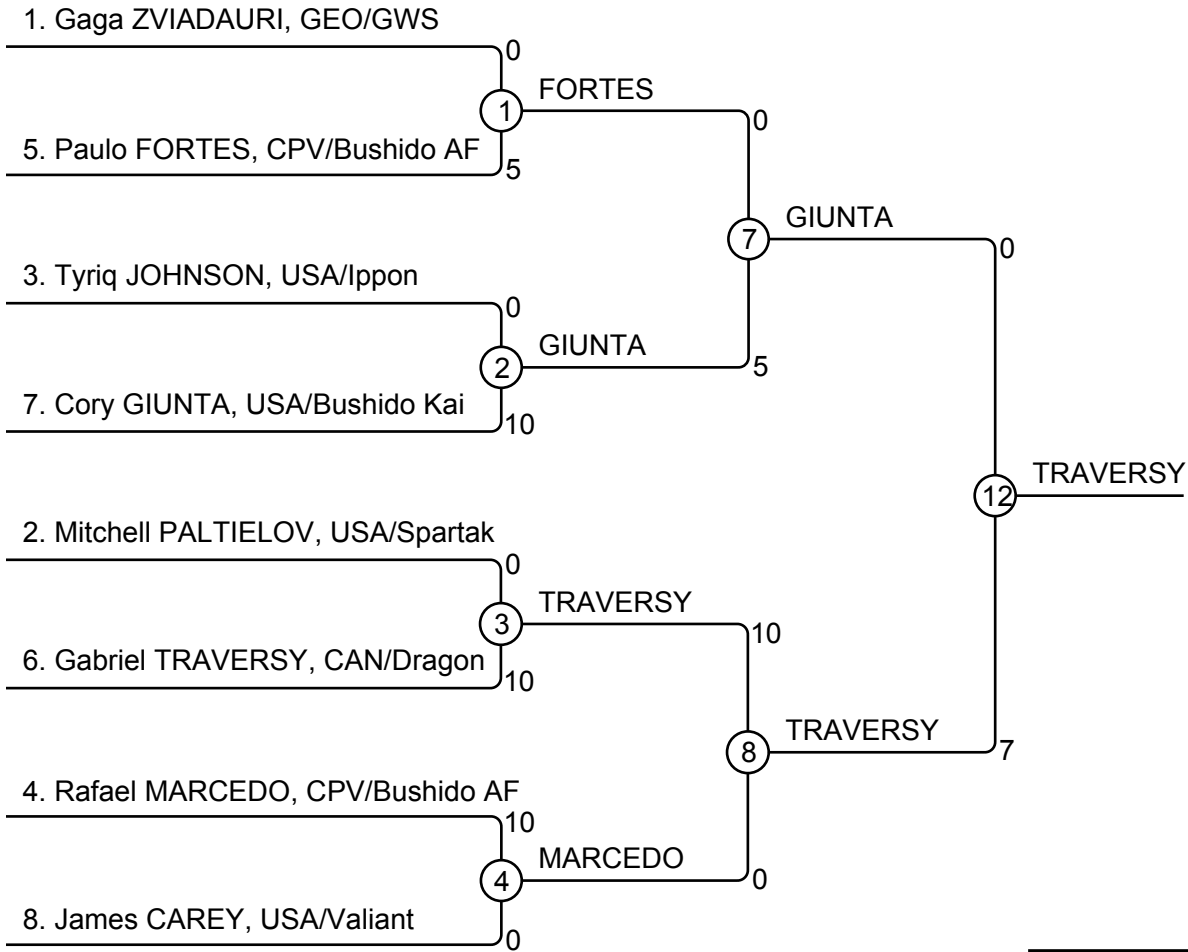
Results

Pos	Name
1	Steven CHERNY, USA/Combat Sambo
2	Alex HALL, USA/LISJ/JMJC
3	Jordan GONZALEZ, USA/Legros



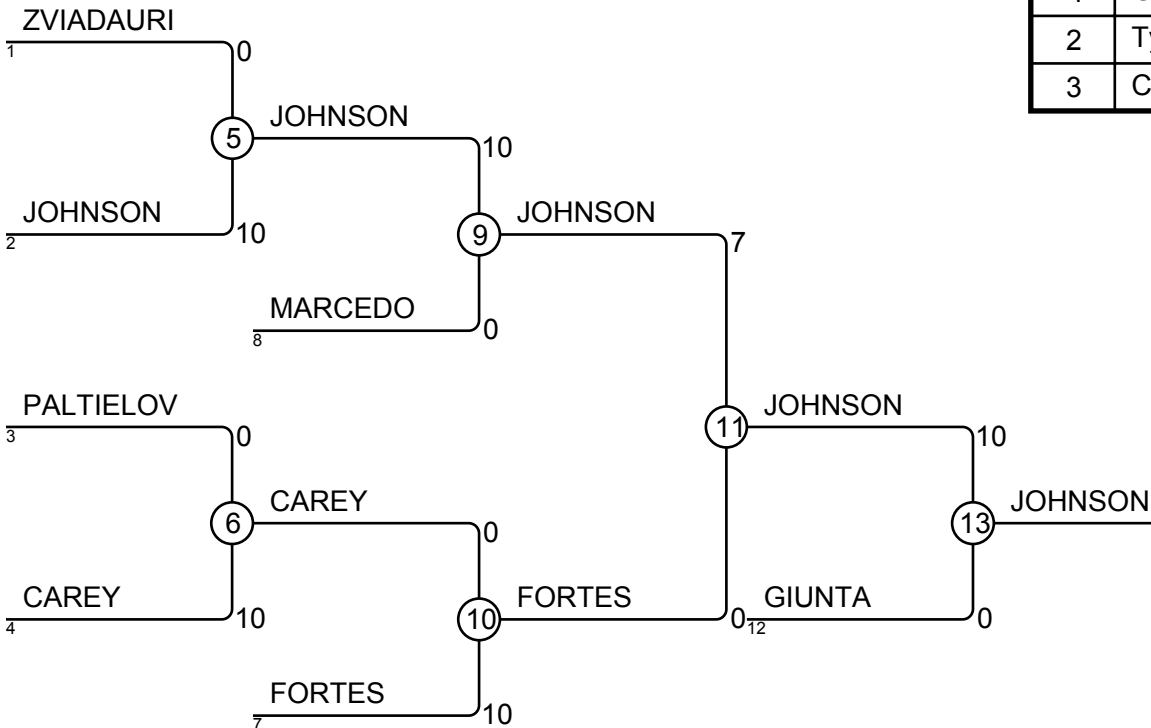
OSI 17/3 JuvA-M /-53

Competitors: 8



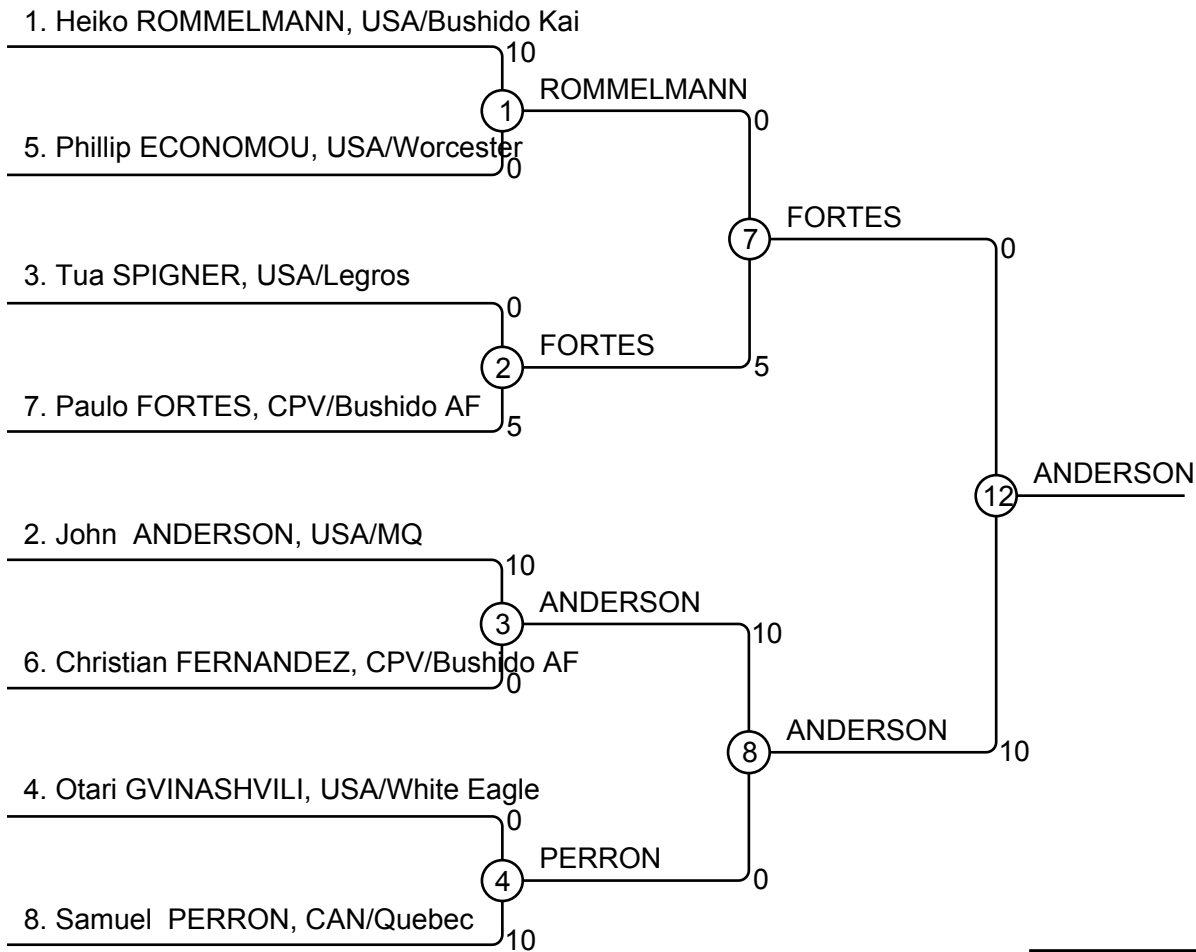
Results

Pos	Name
1	Gabriel TRAVERSY, CAN/Dragon
2	Tyriq JOHNSON, USA/Ippon
3	Cory GIUNTA, USA/Bushido Kai



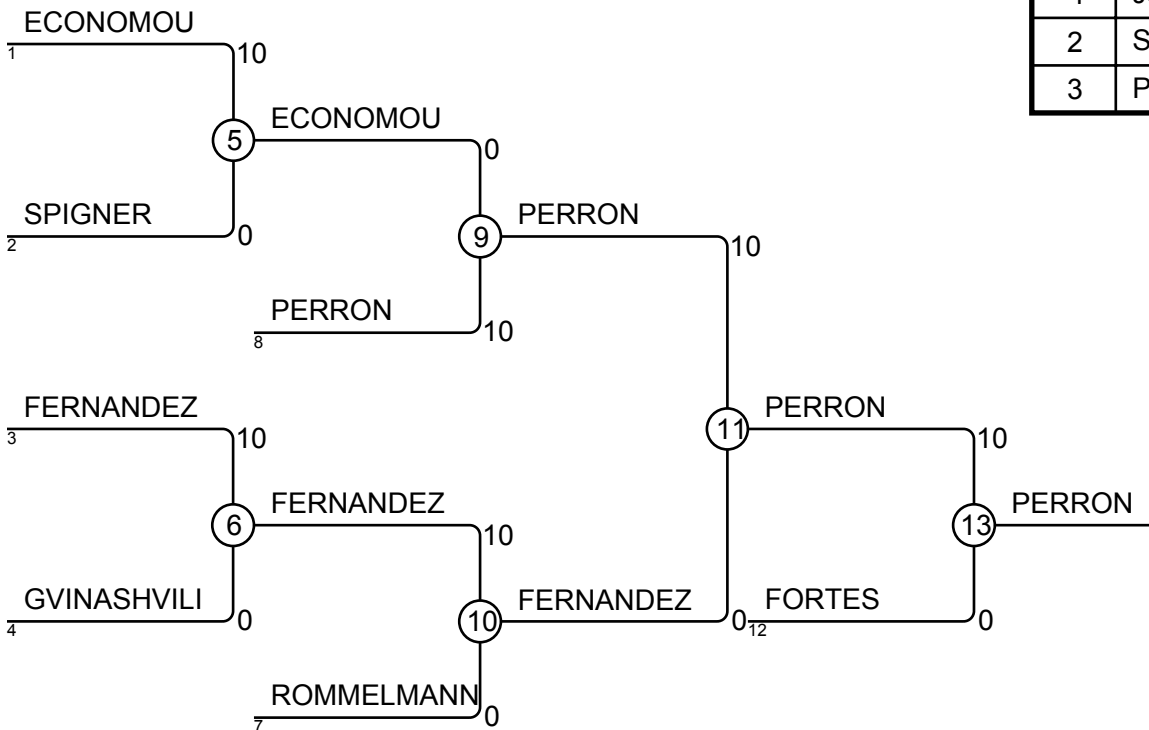
OSI 17/3 JuvA-M /-58

Competitors: 8



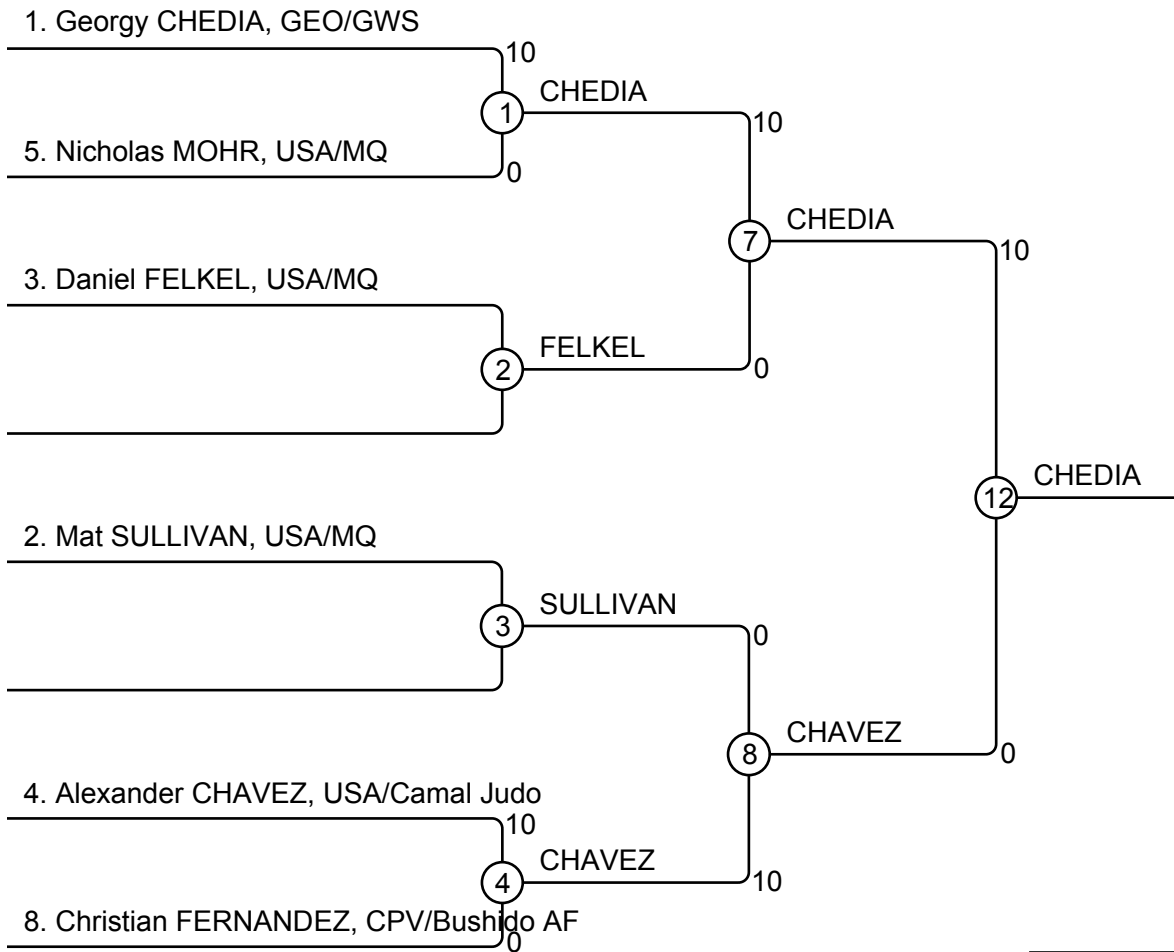
Results

Pos	Name
1	John ANDERSON, USA/MQ
2	Samuel PERRON, CAN/Quebec
3	Paulo FORTES, CPV/Bushido AF



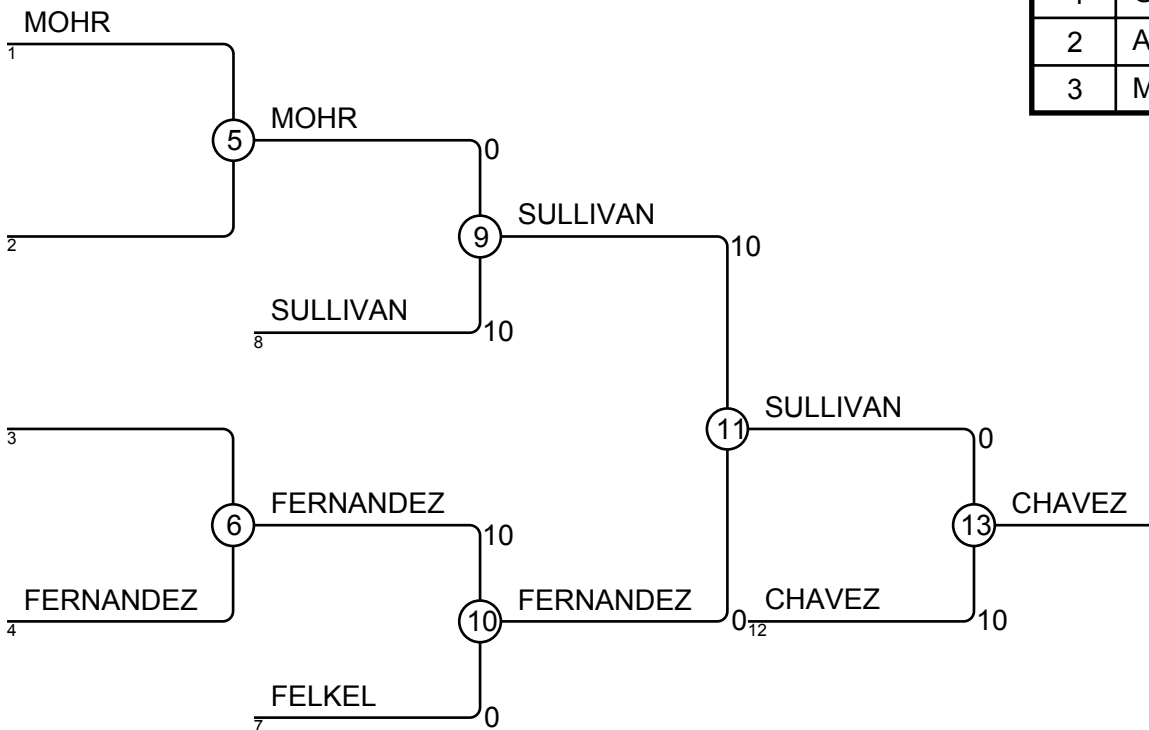
OSI 17/3 JuvA-M /-64

Competitors: 6



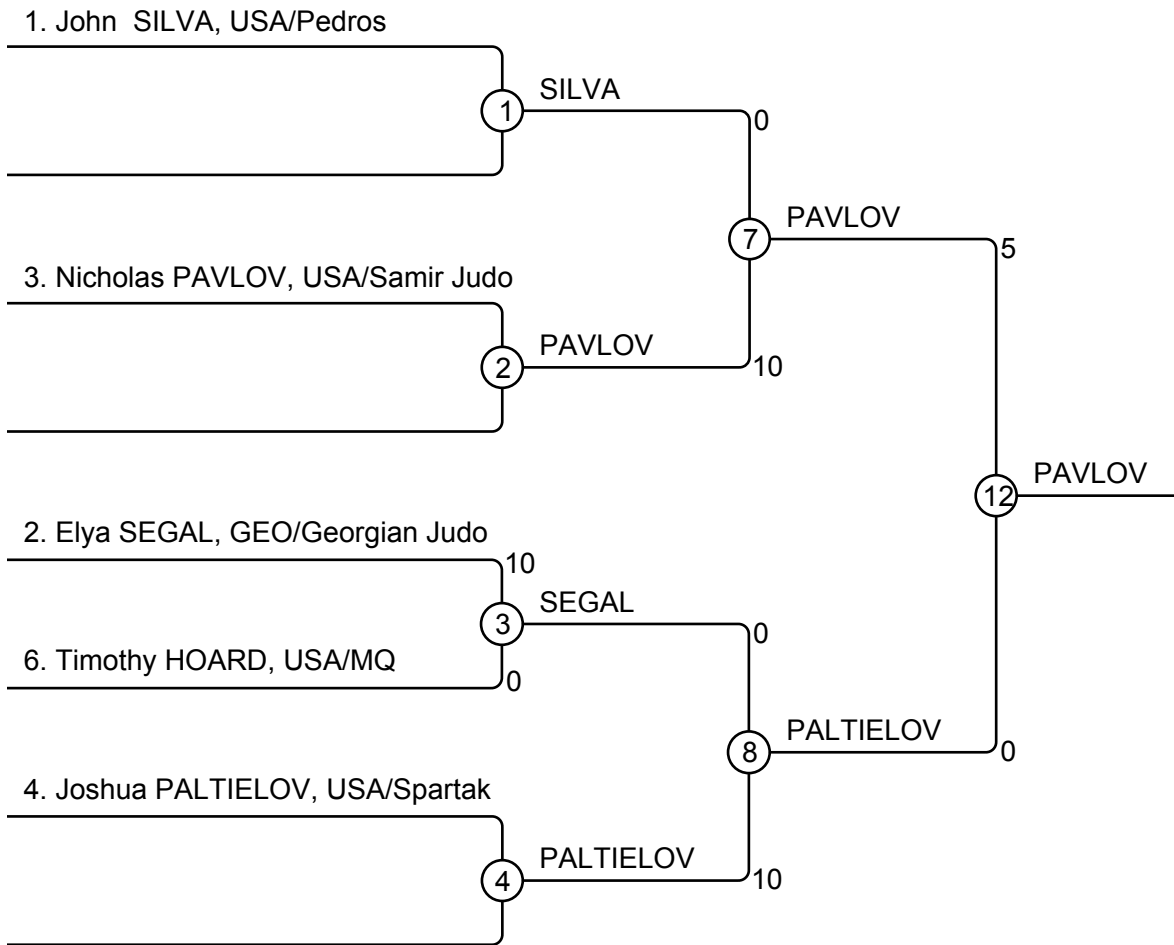
Results

Pos	Name
1	Georgy CHEDIA, GEO/GWS
2	Alexander CHAVEZ, USA/Camal Judo
3	Mat SULLIVAN, USA/MQ



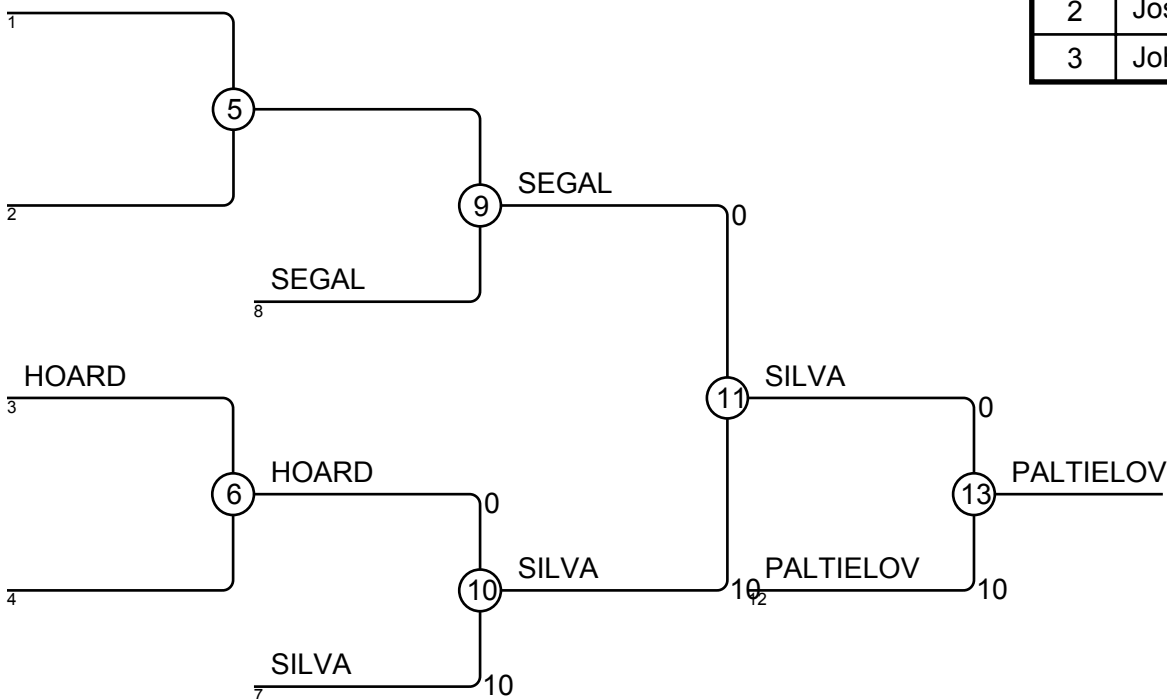
OSI 17/3 JuvA-M /- +64

Competitors: 5



Results

Pos	Name
1	Nicholas PAVLOV, USA/Samir Judo
2	Joshua PALTIELOV, USA/Spartak
3	John SILVA, USA/Pedros



OSI 17/3 JuvB-F /-44

Competitors: 3

Competitors

#	Name	Club	1	2	3	Wins	Pts	Pos
1	Laurence THIFFAULT	CAN/Quebec				0	0	3
2	Erin REIM	CAN/Shidokan Judo	7			1	7	2
3	Nathalie RYGIELSKI	CAN/Budokan/Ajax	10	1		2	11	1

Matches

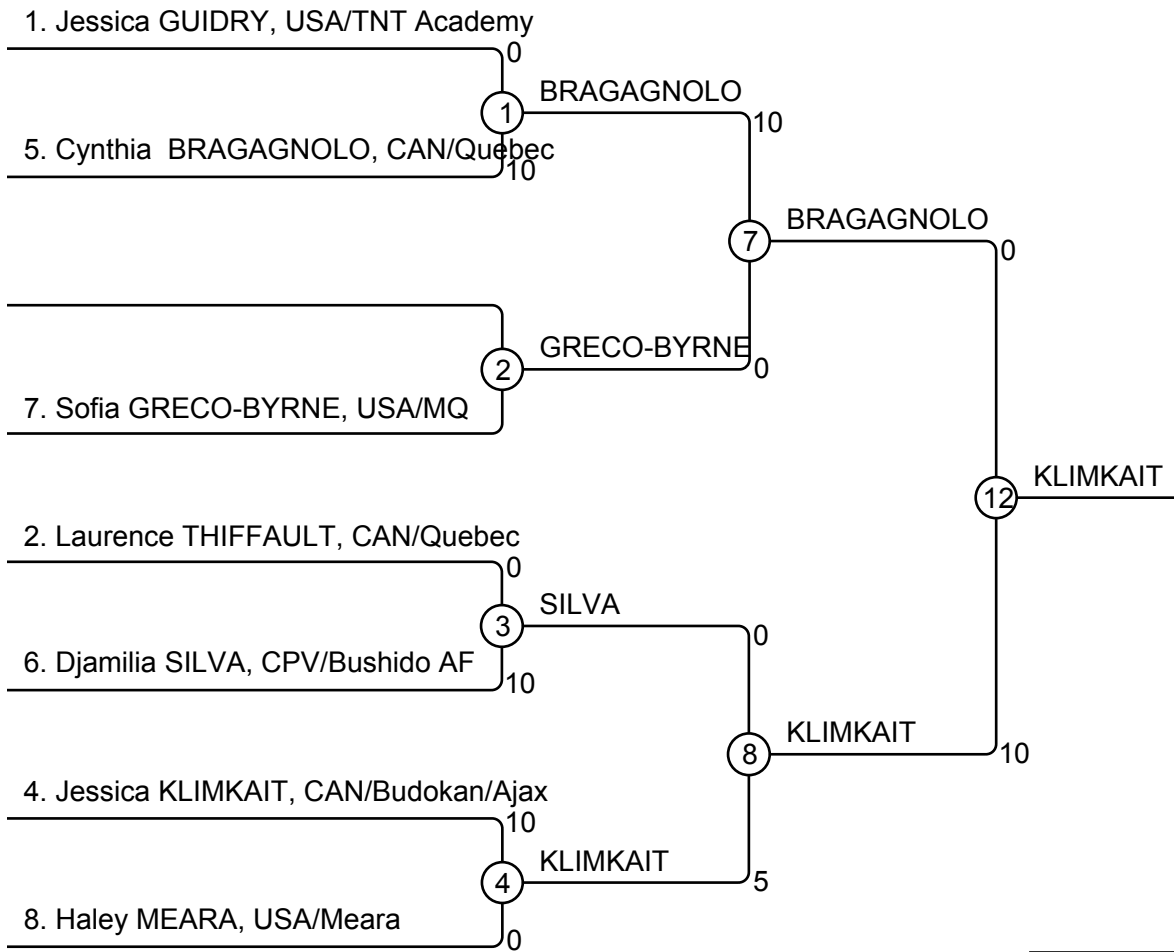
Match	White			Blue	Result	Time
1	Laurence THIFFAULT	1	2	Erin REIM	0 - 7	4:00
2	Laurence THIFFAULT	1	3	Nathalie RYGIELSKI	0 - 10	3:26
3	Erin REIM	2	3	Nathalie RYGIELSKI	0 - 1	6:00

Results

Pos	Name
1	Nathalie RYGIELSKI, CAN/Budokan/Ajax
2	Erin REIM, CAN/Shidokan Judo
3	Laurence THIFFAULT, CAN/Quebec

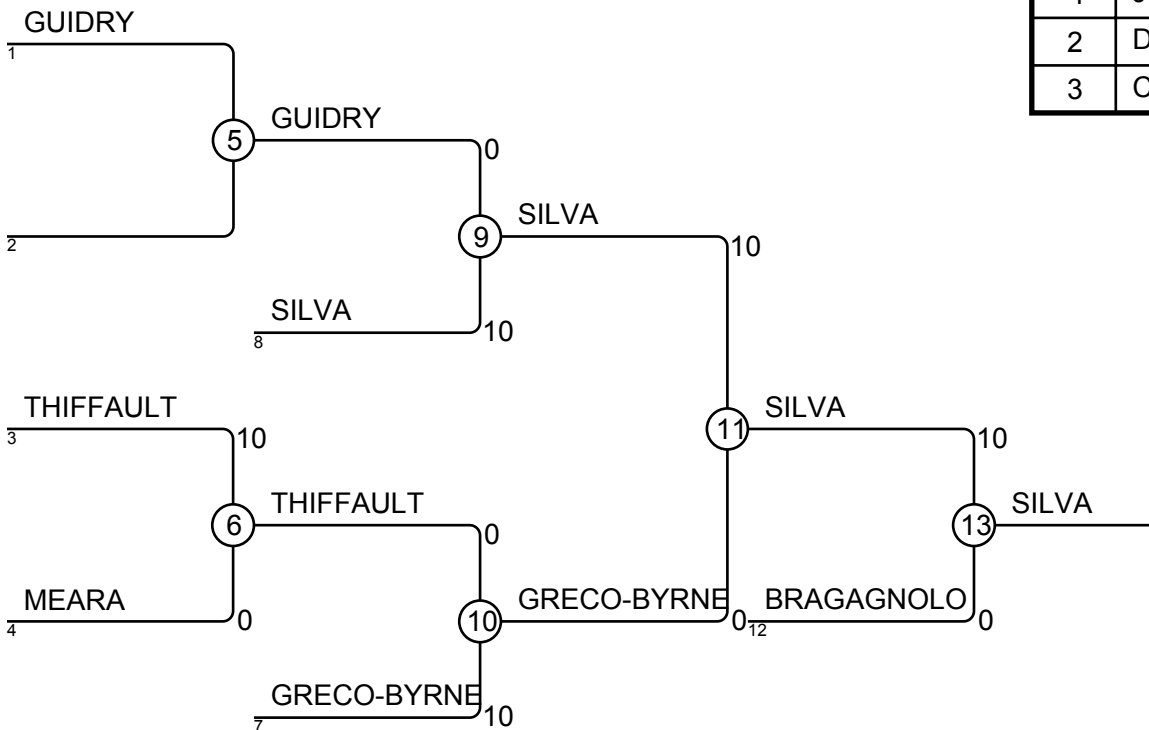
OSI 17/3 JuvB-F /-48

Competitors: 7



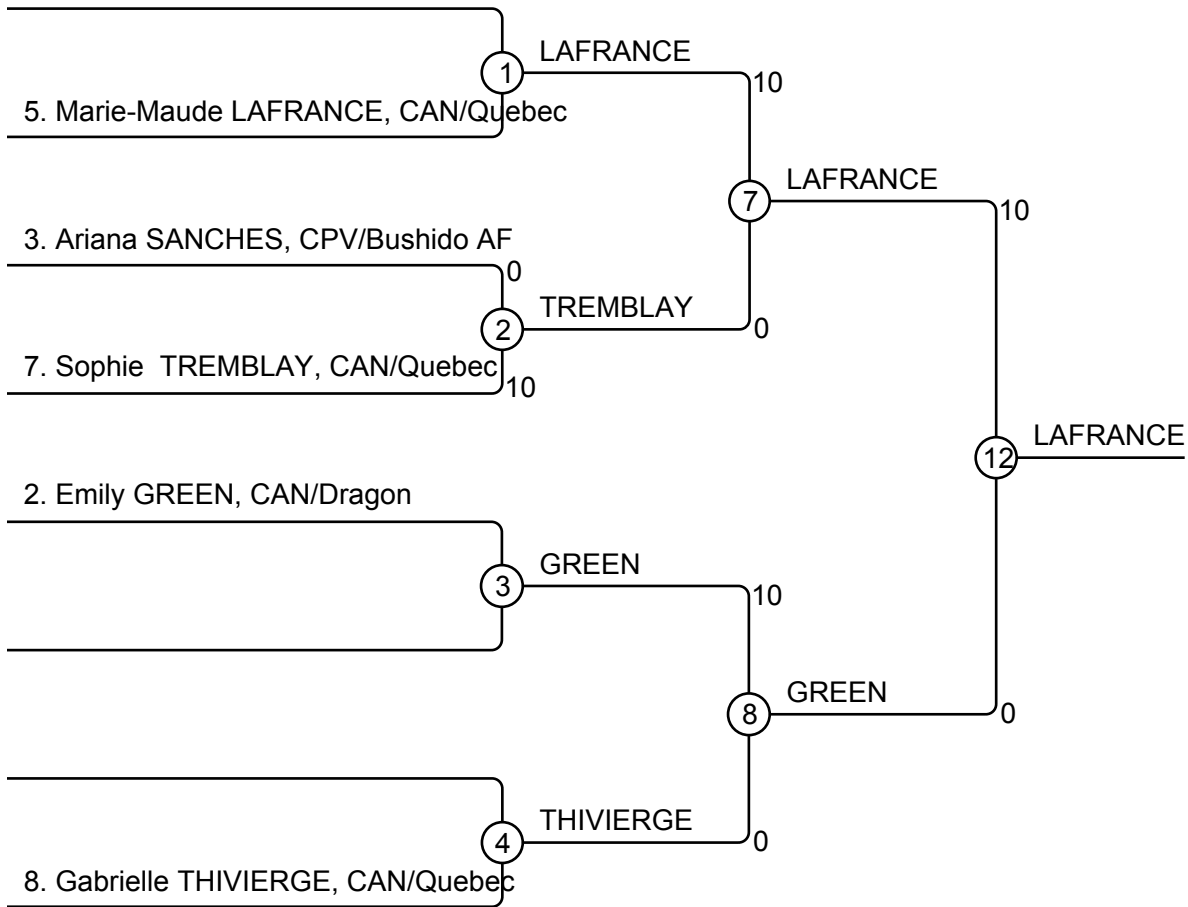
Results

Pos	Name
1	Jessica KLIMKAIT, CAN/Budokan/Ajax
2	Djamilia SILVA, CPV/Bushido AF
3	Cynthia BRAGAGNOLO, CAN/Quebec



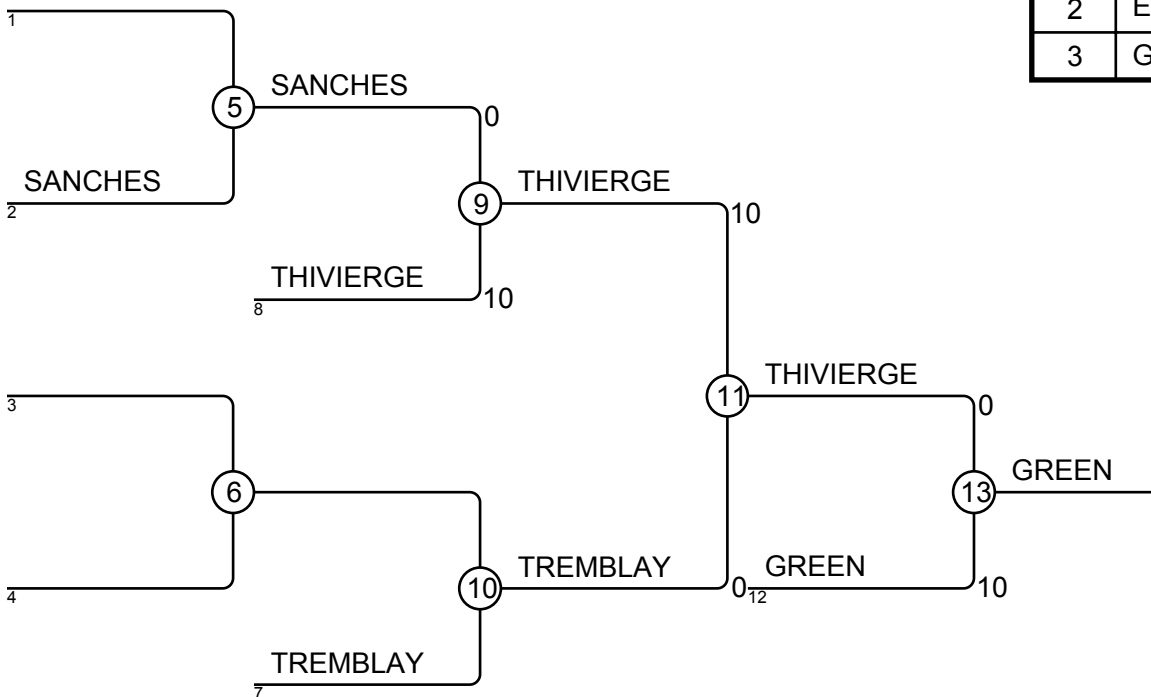
OSI 17/3 JuvB-F /-52

Competitors: 5



Results

Pos	Name
1	Marie-Maude LAFRANCE, CAN/Quebec
2	Emily GREEN, CAN/Dragon
3	Gabrielle THIVIERGE, CAN/Quebec



OSI 17/3 JuvB-F /-57

Competitors: 3

Competitors

#	Name	Club	1	2	3	Wins	Pts	Pos
1	Chanel MORISSETTE	CAN/Quebec		10	10	2	20	1
2	Bianca PARISÉ	CAN/Quebec			10	1	10	2
3	Karissa MONTANEZ	USA/Valiant				0	0	3

Matches

Match	White			Blue	Result	Time
1	Chanel MORISSETTE	1	2	Bianca PARISÉ	10 - 0	1:44
2	Chanel MORISSETTE	1	3	Karissa MONTANEZ	10 - 0	1:14
3	Bianca PARISÉ	2	3	Karissa MONTANEZ	10 - 0	1:46

Results

Pos	Name
1	Chanel MORISSETTE, CAN/Quebec
2	Bianca PARISÉ, CAN/Quebec
3	Karissa MONTANEZ , USA/Valiant

OSI 17/3 JuvB-F /-63

Competitors: 2

Competitors

#	Name	Club	1	2	1	2	1	2	Wins	Pts	Pos
1	Janell SULLIVAN	USA/MQ		10					0	0	1
2	Sabrina ROSTKOWSKI	USA/Valiant							0	0	2

Matches

Match	White		Blue	Result	Time
1	Janell SULLIVAN	1 2	Sabrina ROSTKOWSKI	10 - 0	0:00
2	Janell SULLIVAN	1 2	Sabrina ROSTKOWSKI		
3	Janell SULLIVAN	1 2	Sabrina ROSTKOWSKI		

Results

Pos	Name
1	Janell SULLIVAN, USA/MQ
2	Sabrina ROSTKOWSKI, USA/Valiant

OSI 17/3 JuvB-F /-70

Competitors: 2

Competitors

#	Name	Club	1	2	1	2	1	2	Wins	Pts	Pos
1	Olivia WINSOR	USA/Pedros							0	0	1
2	? UNCONTESTED _____								0	0	2

Matches

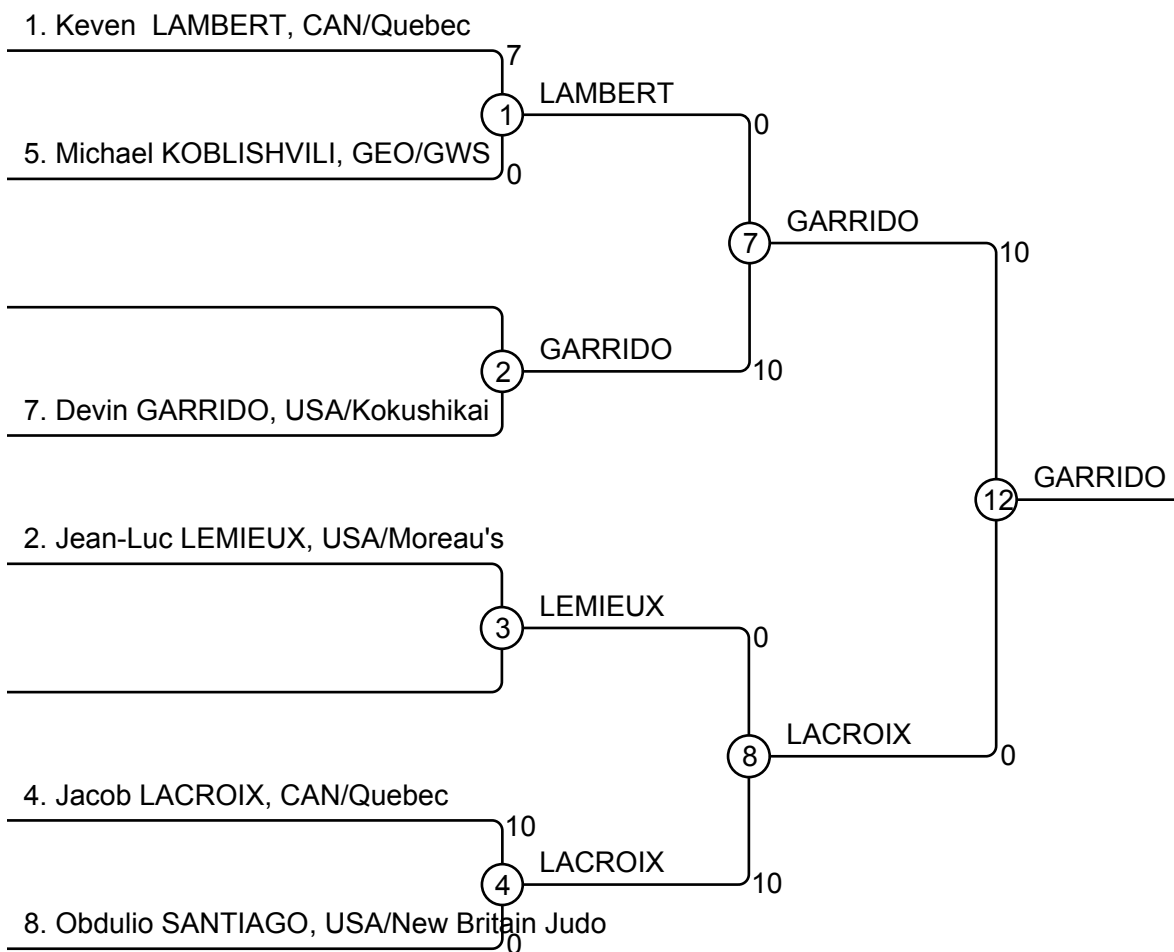
Match	White	Blue	Result	Time
1	Olivia WINSOR	1 2	? UNCONTESTED	
2	Olivia WINSOR	1 2	? UNCONTESTED	
3	Olivia WINSOR	1 2	? UNCONTESTED	

Results

Pos	Name
1	Olivia WINSOR, USA/Pedros
2	? UNCONTESTED, _____

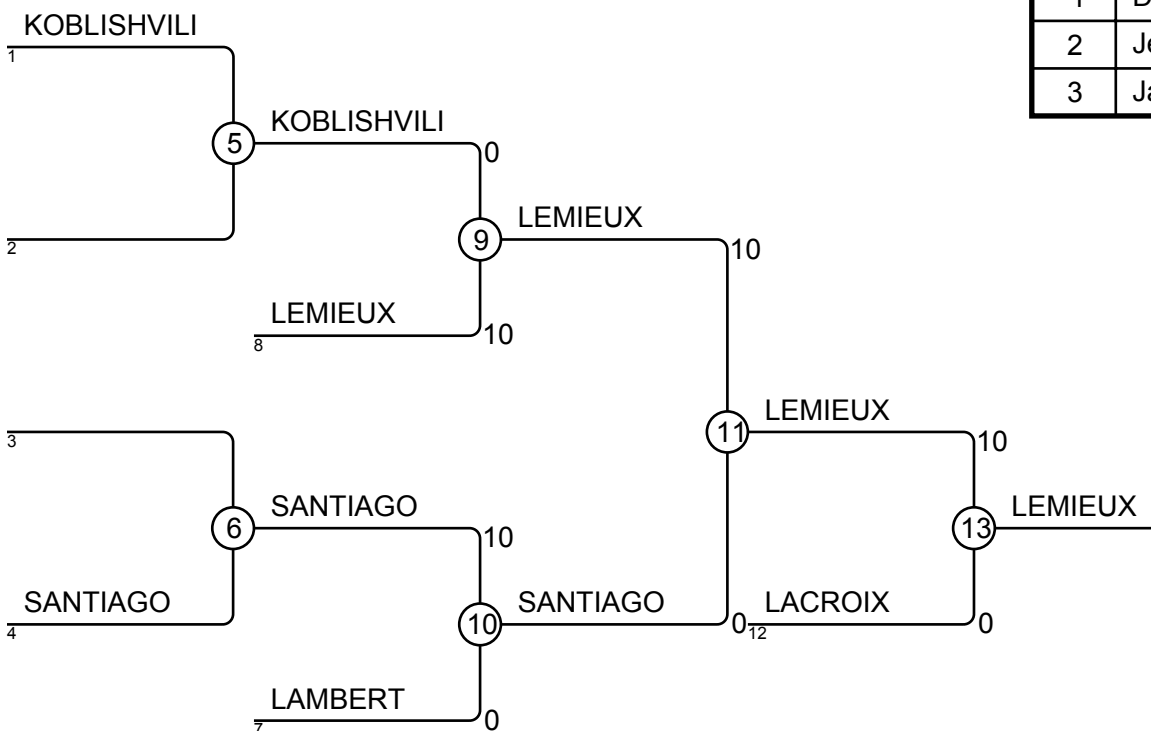
OSI 17/3 JuvB-M /-50

Competitors: 6



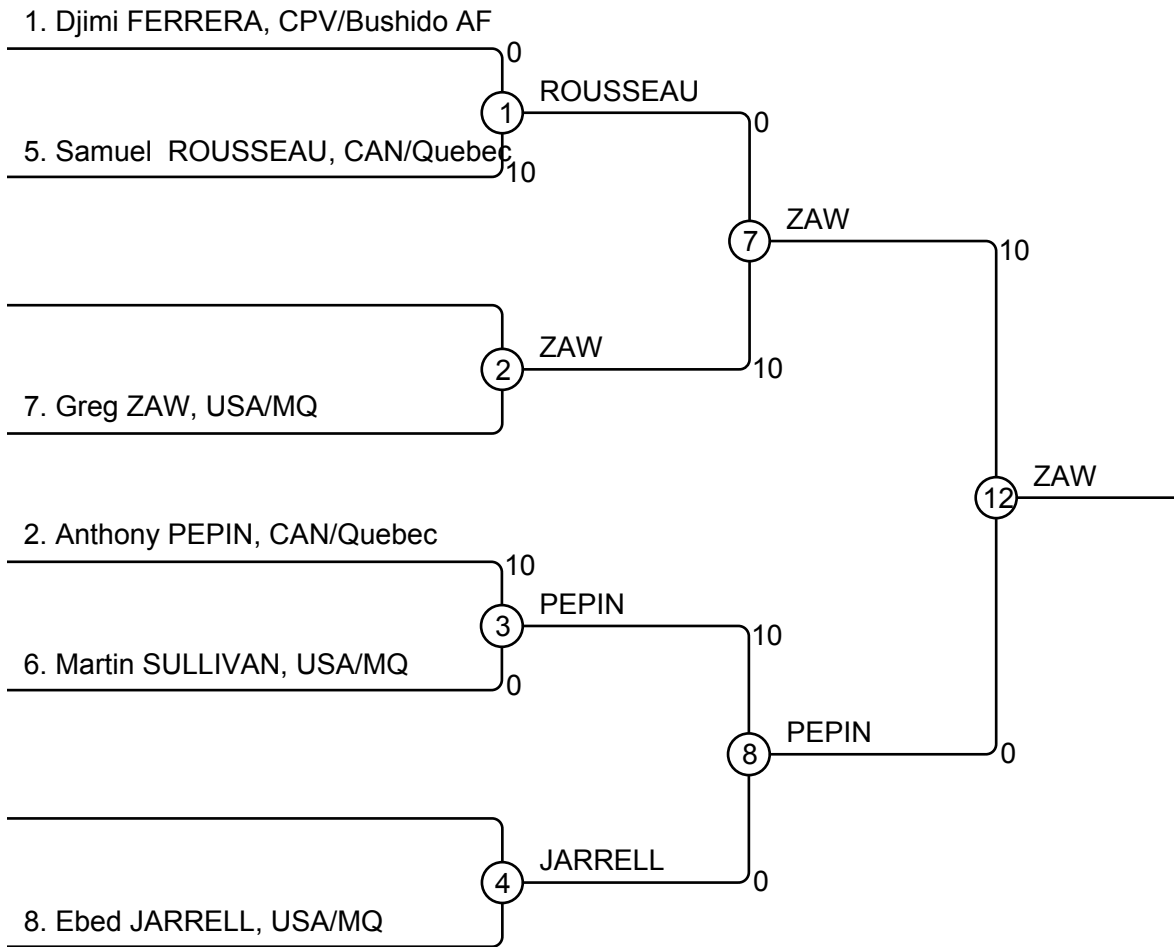
Results

Pos	Name
1	Devin GARRIDO, USA/Kokushikai
2	Jean-Luc LEMIEUX, USA/Moreau's
3	Jacob LACROIX, CAN/Quebec



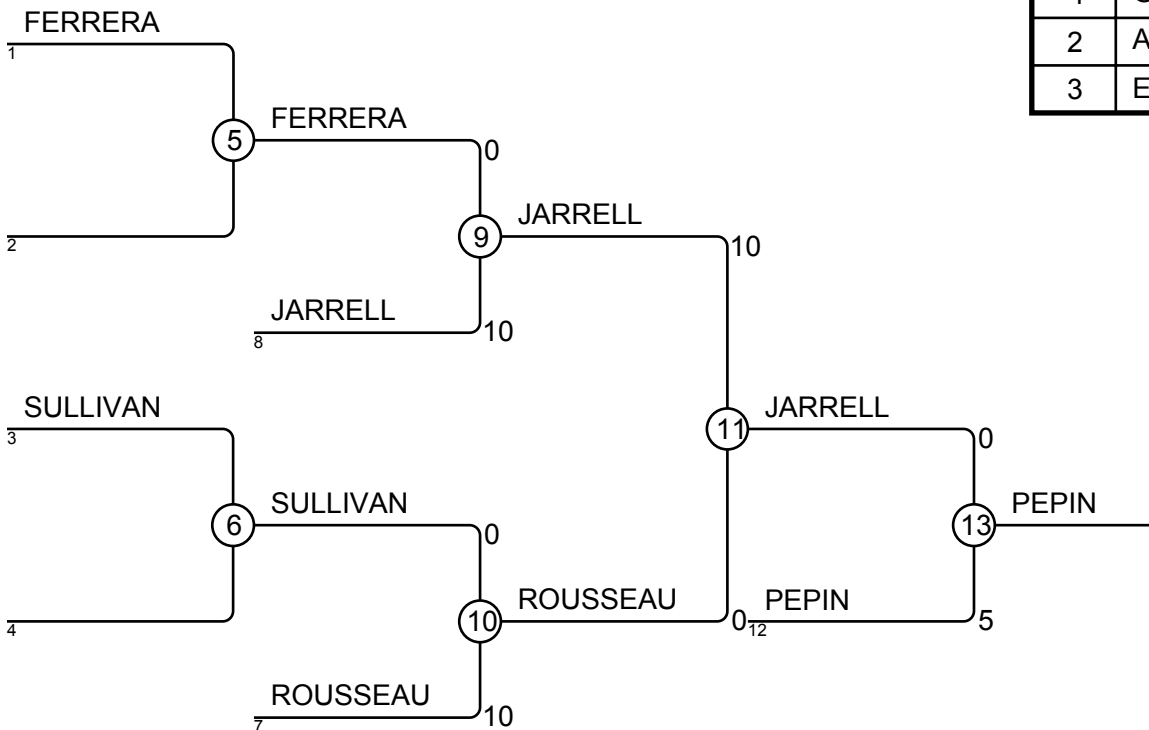
OSI 17/3 JuvB-M /-55

Competitors: 6



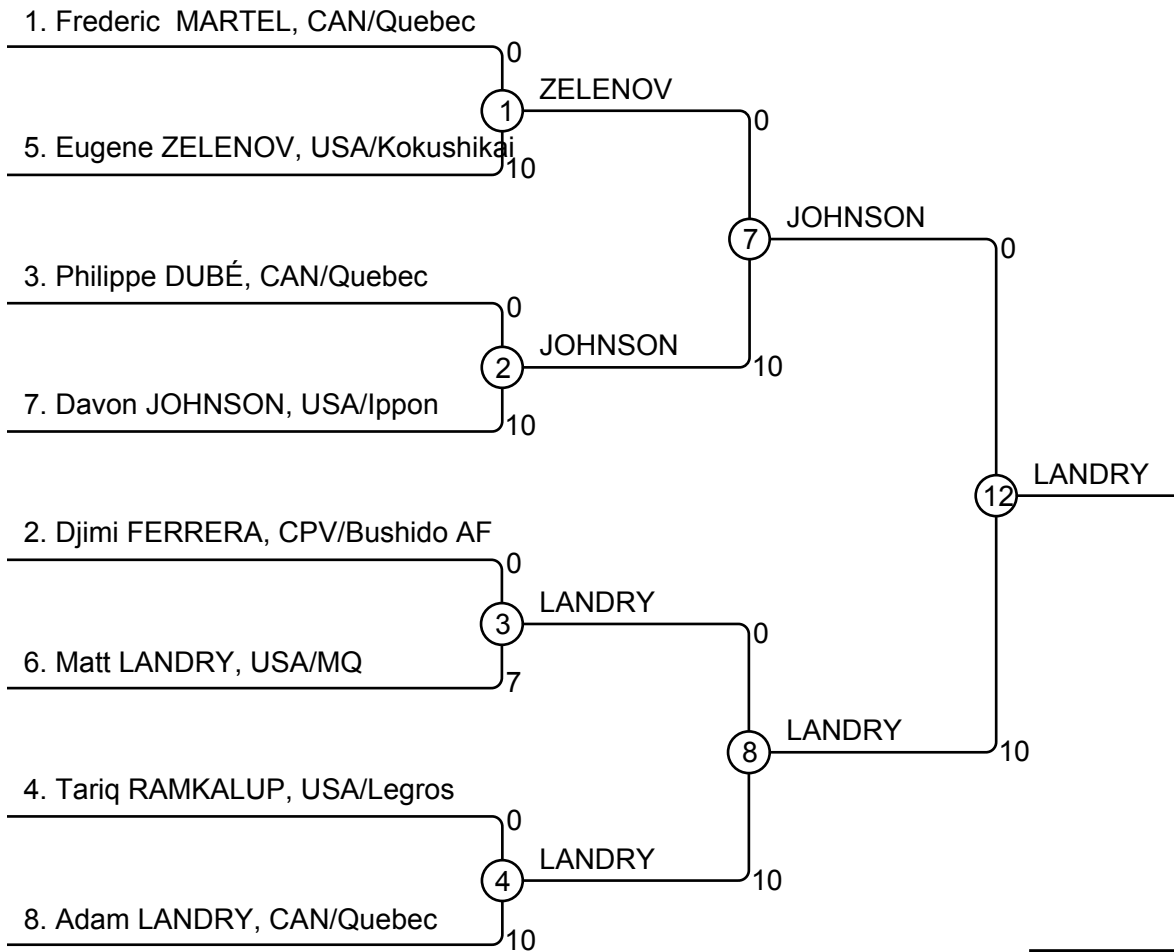
Results

Pos	Name
1	Greg ZAW, USA/MQ
2	Anthony PEPIN, CAN/Quebec
3	Ebed JARRELL, USA/MQ



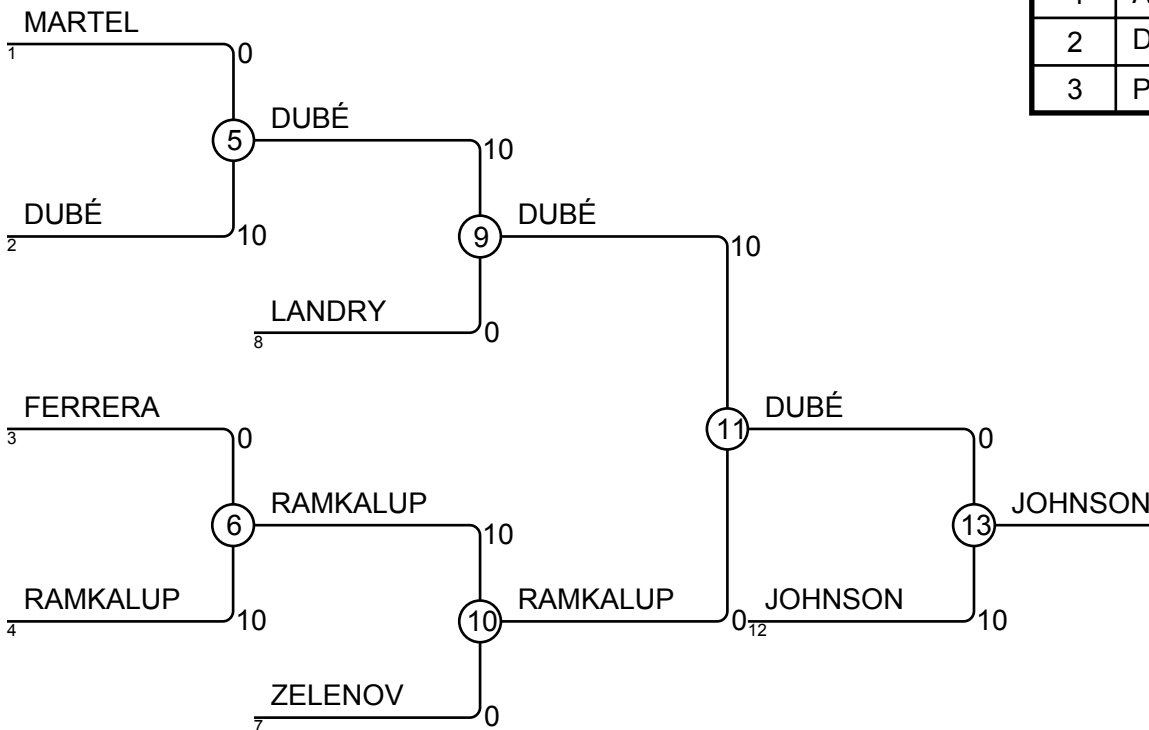
OSI 17/3 JuvB-M /-60

Competitors: 8



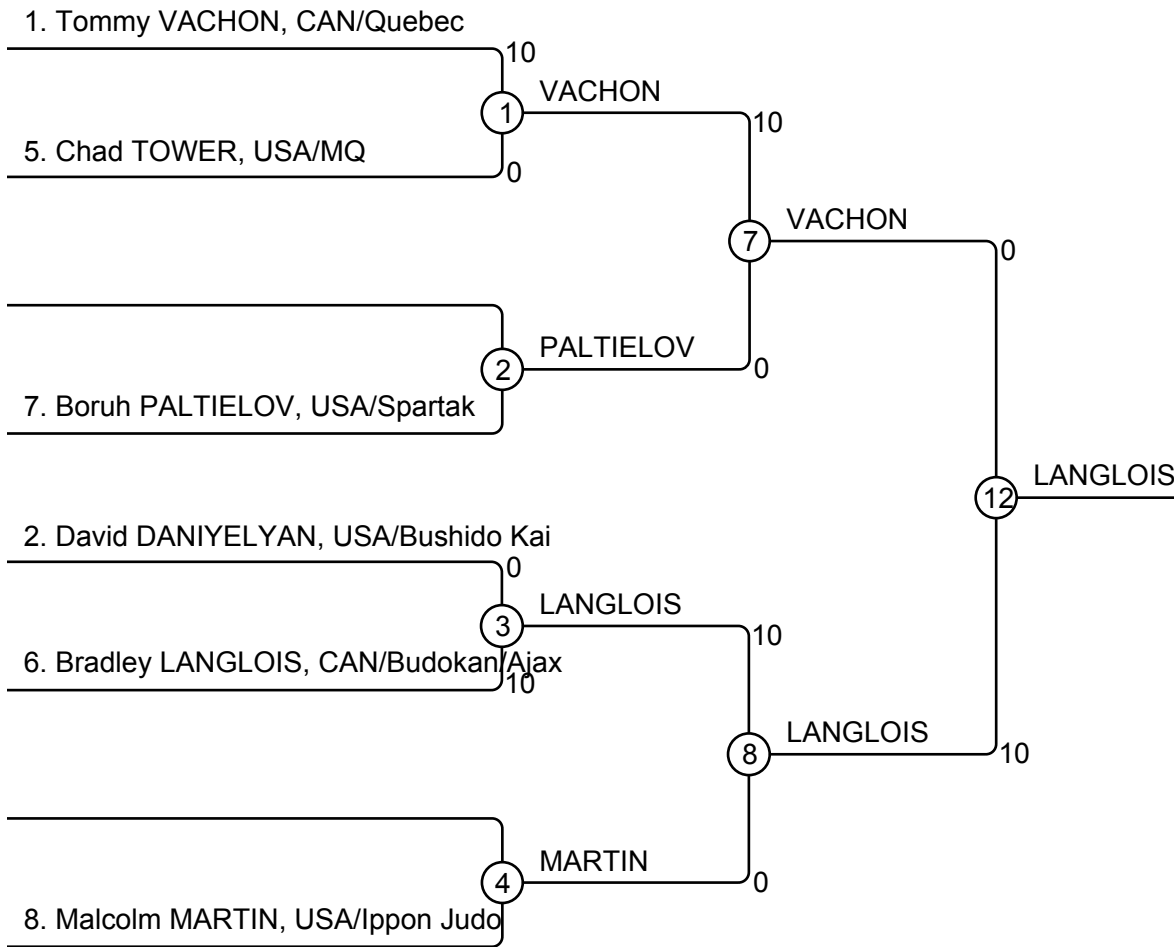
Results

Pos	Name
1	Adam LANDRY, CAN/Quebec
2	Davon JOHNSON, USA/Ippon
3	Philippe DUBÉ, CAN/Quebec



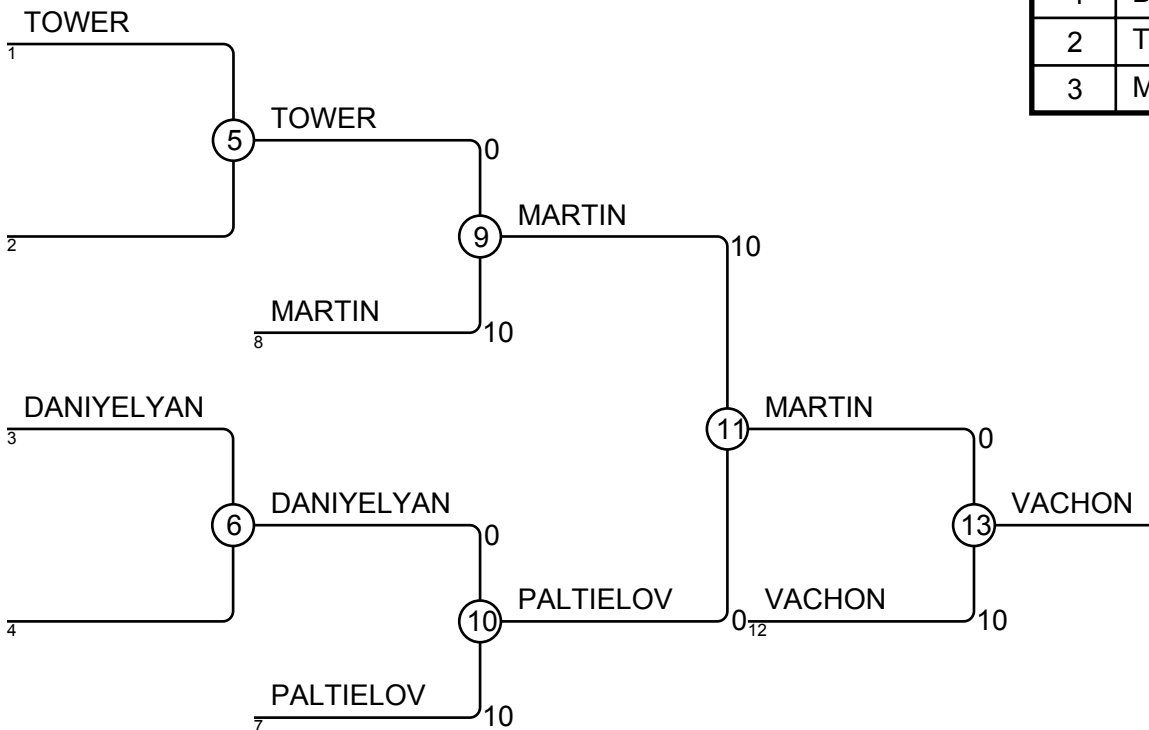
OSI 17/3 JuvB-M /-66

Competitors: 6



Results

Pos	Name
1	Bradley LANGLOIS, CAN/Budokan/A
2	Tommy VACHON, CAN/Quebec
3	Malcolm MARTIN, USA/Ippon Judo



OSI 17/3 JuvB-M /-73

Competitors: 2

Competitors

#	Name	Club	1	2	1	2	1	2	Wins	Pts	Pos
1	William MONTEIRO	CPV/Bushido AF							0	0	2
2	Jedrick IMBEAULT	CAN/Dragon	10		10				2	20	1

Matches

Match	White			Blue	Result	Time
1	William MONTEIRO	1	2	Jedrick IMBEAULT	0 - 10	0:54
2	William MONTEIRO	1	2	Jedrick IMBEAULT	0 - 10	2:22
3	William MONTEIRO	1	2	Jedrick IMBEAULT		

Results

Pos	Name
1	Jedrick IMBEAULT, CAN/Dragon
2	William MONTEIRO, CPV/Bushido AF

OSI 17/3 JuvB-M /-81

Competitors: 4

Competitors

#	Name	Club	1	2	3	4	Wins	Pts	Pos
1	Daniel FEDORENKO	USA/MQ					0	0	4
2	Gianni HALLAK	USA/Kokushikai	10		10	7	3	27	1
3	Eric SKYLAR	USA/Liberty Bell Judo	5				1	5	3
4	Benjamin KENIS	USA/Liberty Bell	10		10		2	20	2

Matches

Match	White		Blue		Result	Time
1	Daniel FEDORENKO	1	2	Gianni HALLAK	0 - 10	0:45
2	Eric SKYLAR	3	4	Benjamin KENIS	0 - 10	4:00
3	Daniel FEDORENKO	1	3	Eric SKYLAR	0 - 5	5:14
4	Gianni HALLAK	2	4	Benjamin KENIS	7 - 0	4:00
5	Daniel FEDORENKO	1	4	Benjamin KENIS	0 - 10	0:43
6	Gianni HALLAK	2	3	Eric SKYLAR	10 - 0	0:21

Results

Pos	Name
1	Gianni HALLAK, USA/Kokushikai
2	Benjamin KENIS, USA/Liberty Bell
3	Eric SKYLAR, USA/Liberty Bell Judo
4	Daniel FEDORENKO, USA/MQ

OSI 17/3 JuvB-M /-90

Competitors: 3

Competitors

#	Name	Club	1	2	3	Wins	Pts	Pos
1	Giorgi CHKHIVADZE	GEO/GWS		10	10	2	20	1
2	Mateusz DEBKOWSK	USA/Valiant				0	0	3
3	Jonathan BROOK	USA/Brighton		10		1	10	2

Matches

Match	White			Blue	Result	Time
1	Giorgi CHKHIVADZE	1	2	Mateusz DEBKOWSK	10 - 0	1:14
2	Giorgi CHKHIVADZE	1	3	Jonathan BROOK	10 - 0	2:16
3	Mateusz DEBKOWSK	2	3	Jonathan BROOK	0 - 10	1:35

Results

Pos	Name
1	Giorgi CHKHIVADZE, GEO/GWS
2	Jonathan BROOK, USA/Brighton
3	Mateusz DEBKOWSK, USA/Valiant

OSI 17/3 JuvB-M /- +90

Competitors: 2

Competitors

#	Name	Club	1	2	1	2	1	2	Wins	Pts	Pos
1	? UNCONTESTED								0	0	2
2	Caleb BROWN	USA/Cape Cod Mat Sports							0	0	1

Matches

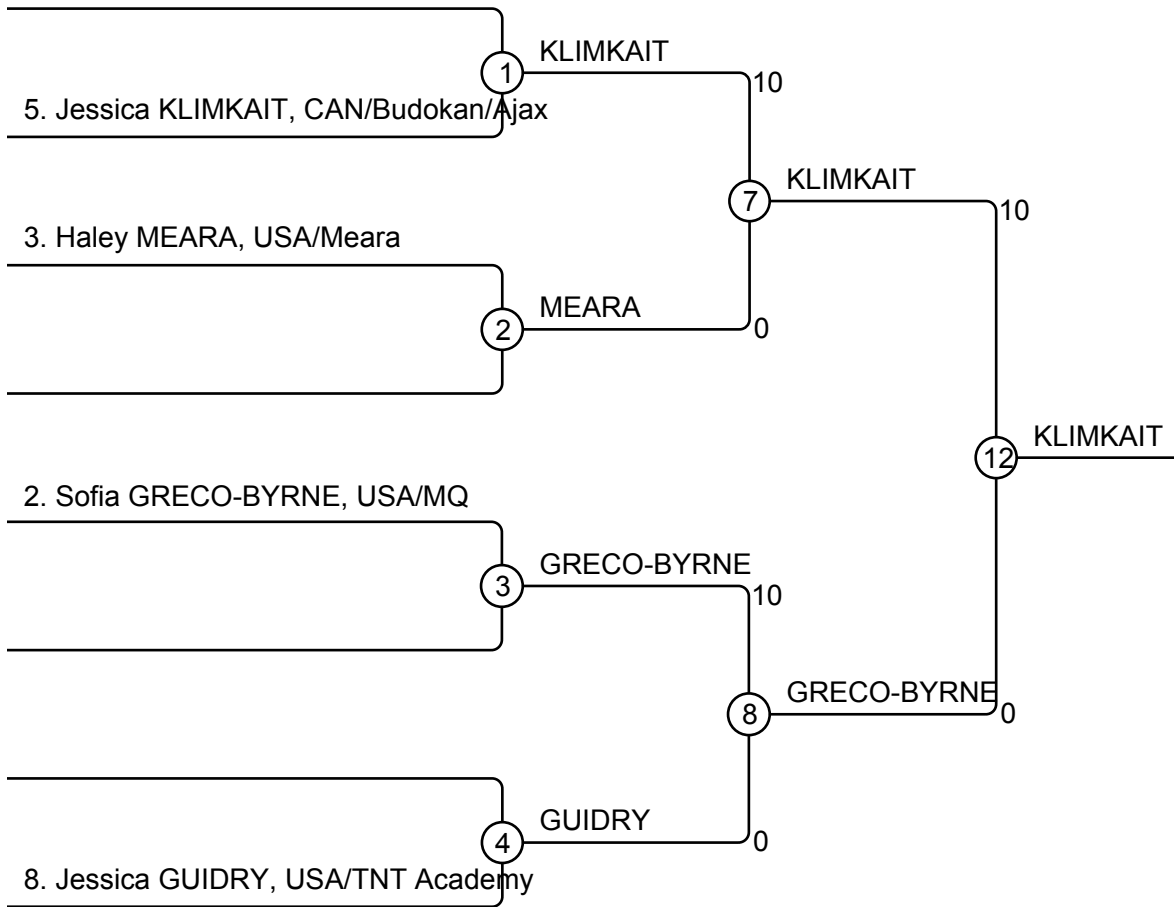
Match	White			Blue	Result	Time
1	? UNCONTESTED	1	2	Caleb BROWN		
2	? UNCONTESTED	1	2	Caleb BROWN		
3	? UNCONTESTED	1	2	Caleb BROWN		

Results

Pos	Name
1	Caleb BROWN, USA/Cape Cod Mat Sports
2	? UNCONTESTED,

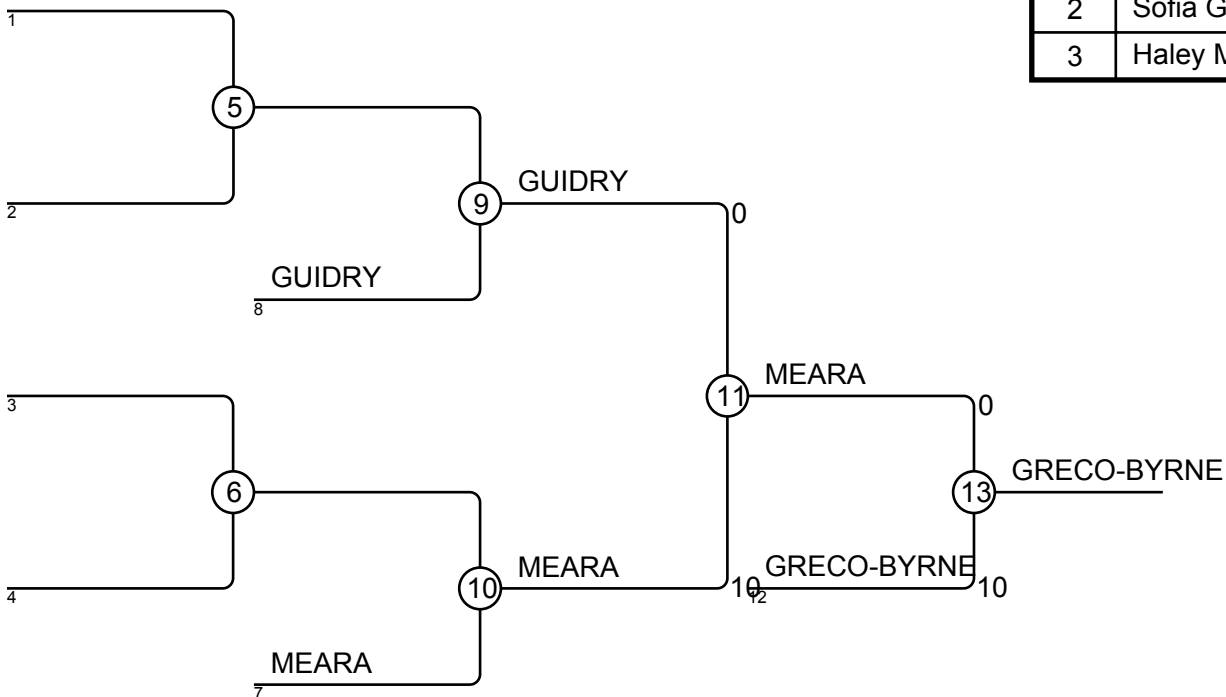
OSI 17/3 IJF-F /-48

Competitors: 5



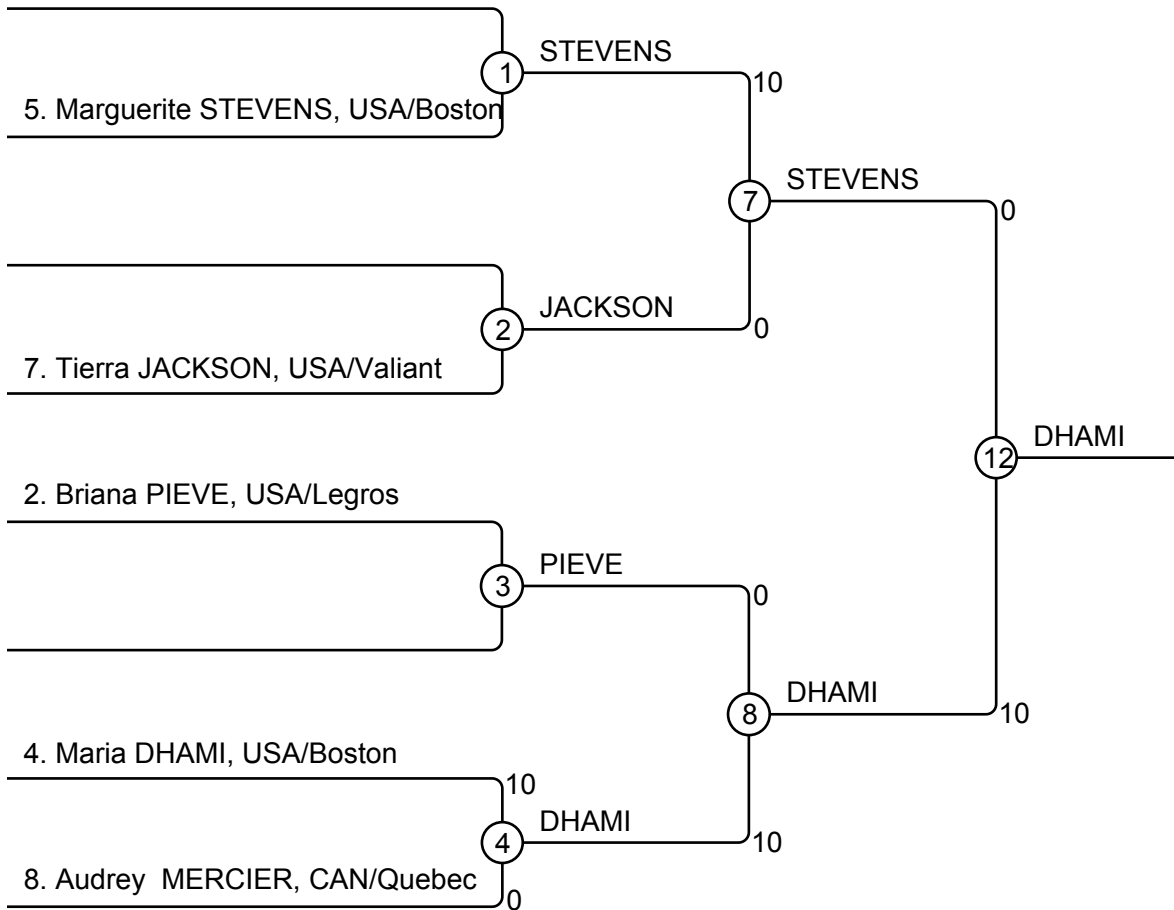
Results

Pos	Name
1	Jessica KLIMKAIT, CAN/Budokan/Ajax
2	Sofia GRECO-BYRNE, USA/MQ
3	Haley MEARA, USA/Meara



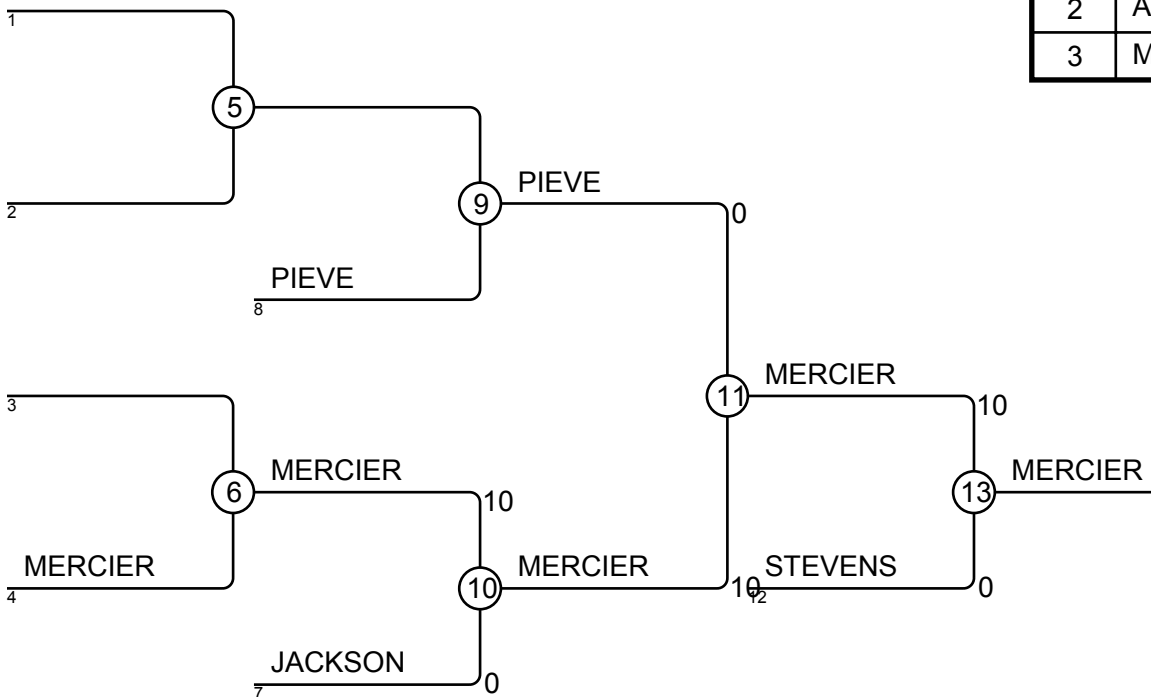
OSI 17/3 IJF-F /-52

Competitors: 5



Results

Pos	Name
1	Maria DHAMI, USA/Boston
2	Audrey MERCIER, CAN/Quebec
3	Marguerite STEVENS, USA/Boston



OSI 17/3 IJF-F /-57

Competitors: 4

Competitors

#	Name	Club	1	2	3	4	Wins	Pts	Pos
1	Chanel MORISSETTE	CAN/Quebec			10	10	2	20	2
2	Eugénie LEMIEUX	CAN/Quebec	10		10	7	3	27	1
3	Tiffany BOGGS	USA/Ippon					0	0	4
4	Lysa GAGANON	CAN/Quebec			10		1	10	3

Matches

Match	White			Blue	Result	Time
1	Chanel MORISSETTE	1	2	Eugénie LEMIEUX	0 - 10	2:10
2	Tiffany BOGGS	3	4	Lysa GAGANON	0 - 10	3:23
3	Chanel MORISSETTE	1	3	Tiffany BOGGS	10 - 0	1:23
4	Eugénie LEMIEUX	2	4	Lysa GAGANON	7 - 0	4:00
5	Chanel MORISSETTE	1	4	Lysa GAGANON	10 - 0	4:00
6	Eugénie LEMIEUX	2	3	Tiffany BOGGS	10 - 0	0:23

Results

Pos	Name
1	Eugénie LEMIEUX, CAN/Quebec
2	Chanel MORISSETTE, CAN/Quebec
3	Lysa GAGANON, CAN/Quebec
4	Tiffany BOGGS, USA/Ippon

OSI 17/3 IJF-F /-63

Competitors: 3

Competitors

#	Name	Club	1	2	3	Wins	Pts	Pos
1	Megan NAGY	CAN/Upper Canada		10		1	10	3
2	Cyntia FOURNIER	CAN/Quebec			10	1	10	1
3	Meghan ARENA	USA/Pedros	10			1	10	2

Matches

Match	White			Blue	Result	Time
1	Megan NAGY	1	2	Cyntia FOURNIER	10 - 0	3:40
2	Megan NAGY	1	3	Meghan ARENA	0 - 10	1:49
3	Cyntia FOURNIER	2	3	Meghan ARENA	10 - 0	3:06

Results

Pos	Name
1	Cyntia FOURNIER, CAN/Quebec
2	Meghan ARENA, USA/Pedros
3	Megan NAGY, CAN/Upper Canada

OSI 17/3 IJF-F /-63,0

Competitors: 3

Competitors

#	Name	Club	1	2	3	Wins	Pts	Pos
1	Cyntia FOURNIER	CAN/Quebec				0	0	3
2	Megan NAGY	CAN/Upper Canada	7		10	2	17	1
3	Meghan ARENA	USA/Pedros	10			1	10	2

Matches

Match	White			Blue	Result	Time
1	Cyntia FOURNIER	1	2	Megan NAGY	0 - 7	4:00
2	Cyntia FOURNIER	1	3	Meghan ARENA	0 - 10	2:35
3	Megan NAGY	2	3	Meghan ARENA	10 - 0	6:00

Results

Pos	Name
1	Megan NAGY, CAN/Upper Canada
2	Meghan ARENA, USA/Pedros
3	Cyntia FOURNIER, CAN/Quebec

OSI 17/3 IJF-F /-70

Competitors: 2

Competitors

#	Name	Club	1	2	1	2	1	2	Wins	Pts	Pos
1	Olivia WINSOR	USA/Pedros		5					1	5	2
2	Kiay VAN SCOYOC	USA/Ippon Judo			5		10		2	15	1

Matches

Match	White			Blue	Result	Time
1	Olivia WINSOR	1	2	Kiay VAN SCOYOC	5 - 0	4:21
2	Olivia WINSOR	1	2	Kiay VAN SCOYOC	0 - 5	4:30
3	Olivia WINSOR	1	2	Kiay VAN SCOYOC	0 - 10	0:00

Results

Pos	Name
1	Kiay VAN SCOYOC, USA/Ippon Judo
2	Olivia WINSOR, USA/Pedros

OSI 17/3 IJF-F /- +78

Competitors: 3

Competitors

#	Name	Club	1	2	3	Wins	Pts	Pos
1	Anna PETROV	USA/Valiant		10		1	10	2
2	Tylee FRY	USA/MQ				0	0	3
3	Roxanne LAUZIER	CAN/Quebec	10	10		2	20	1

Matches

Match	White			Blue	Result	Time
1	Anna PETROV	1	2	Tylee FRY	10 - 0	0:25
2	Anna PETROV	1	3	Roxanne LAUZIER	0 - 10	2:13
3	Tylee FRY	2	3	Roxanne LAUZIER	0 - 10	0:18

Results

Pos	Name
1	Roxanne LAUZIER, CAN/Quebec
2	Anna PETROV, USA/Valiant
3	Tylee FRY, USA/MQ

OSI 17/3 IJF-M /-55

Competitors: 4

Competitors

#	Name	Club	1	2	3	4	Wins	Pts	Pos
1	Patrick MENDIOLA	USA/Ippon		10	5	10	3	25	1
2	Alexandre SILVA	CPV/Bushido AF			10		1	10	3
3	Nate COLICCI	USA/MQ				10	1	10	4
4	Villy GRAPP	USA/Combat Sambo		10			1	10	2

Matches

Match	White			Blue	Result	Time
1	Patrick MENDIOLA	1	2	Alexandre SILVA	10 - 0	3:09
2	Nate COLICCI	3	4	Villy GRAPP	10 - 0	0:44
3	Patrick MENDIOLA	1	3	Nate COLICCI	5 - 0	4:00
4	Alexandre SILVA	2	4	Villy GRAPP	0 - 10	0:09
5	Patrick MENDIOLA	1	4	Villy GRAPP	10 - 0	1:44
6	Alexandre SILVA	2	3	Nate COLICCI	10 - 0	0:18

Results

Pos	Name
1	Patrick MENDIOLA, USA/Ippon
2	Villy GRAPP, USA/Combat Sambo
3	Alexandre SILVA, CPV/Bushido AF
4	Nate COLICCI, USA/MQ

OSI 17/3 IJF-M /-55,0

Competitors: 3

Competitors

#	Name	Club	1	2	3	Wins	Pts	Pos
1	Nate COLICCI	USA/MQ		10		1	10	2
2	Villy GRAPP	USA/Combat Sambo				0	0	3
3	Alexandre SILVA	CPV/Bushido AF	10	10		2	20	1

Matches

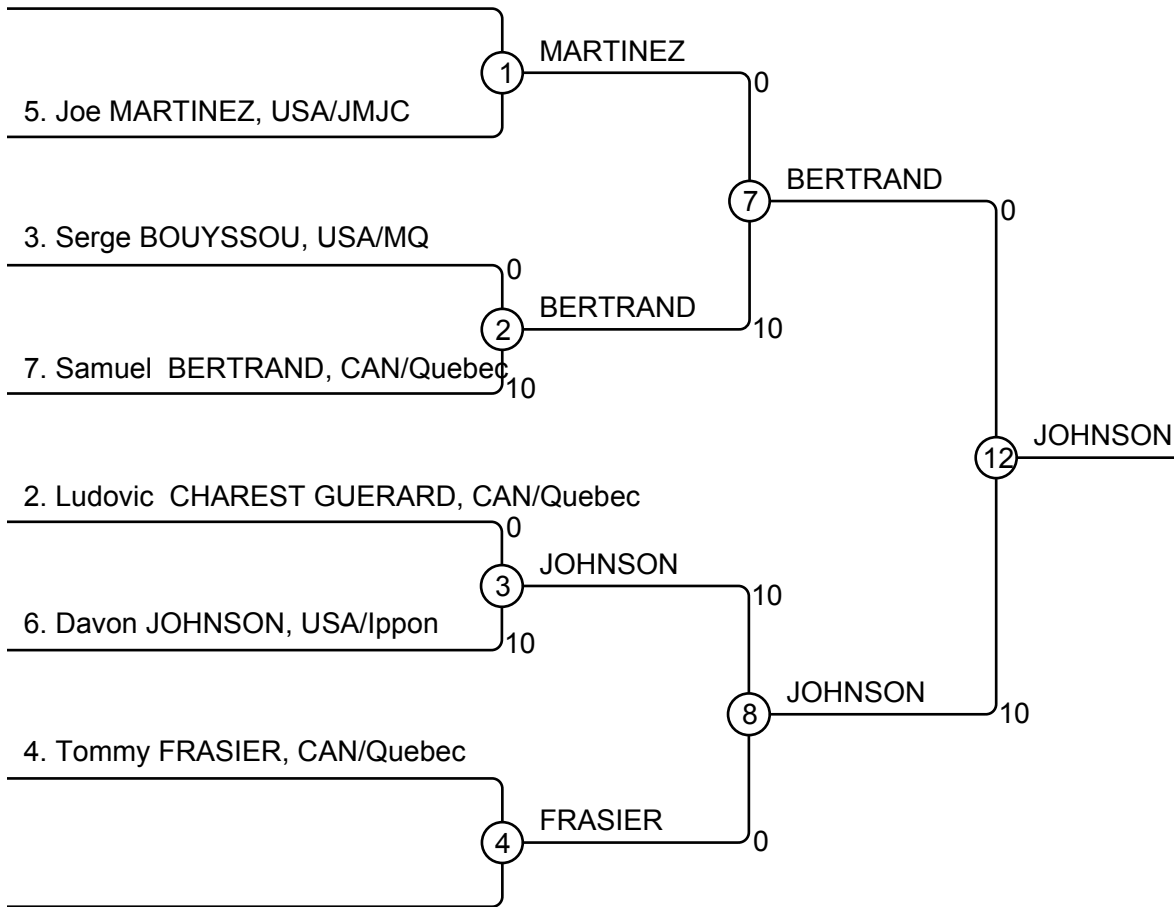
Match	White			Blue	Result	Time
1	Nate COLICCI	1	2	Villy GRAPP	10 - 0	1:55
2	Nate COLICCI	1	3	Alexandre SILVA	0 - 10	2:05
3	Villy GRAPP	2	3	Alexandre SILVA	0 - 10	0:14

Results

Pos	Name
1	Alexandre SILVA, CPV/Bushido AF
2	Nate COLICCI, USA/MQ
3	Villy GRAPP, USA/Combat Sambo

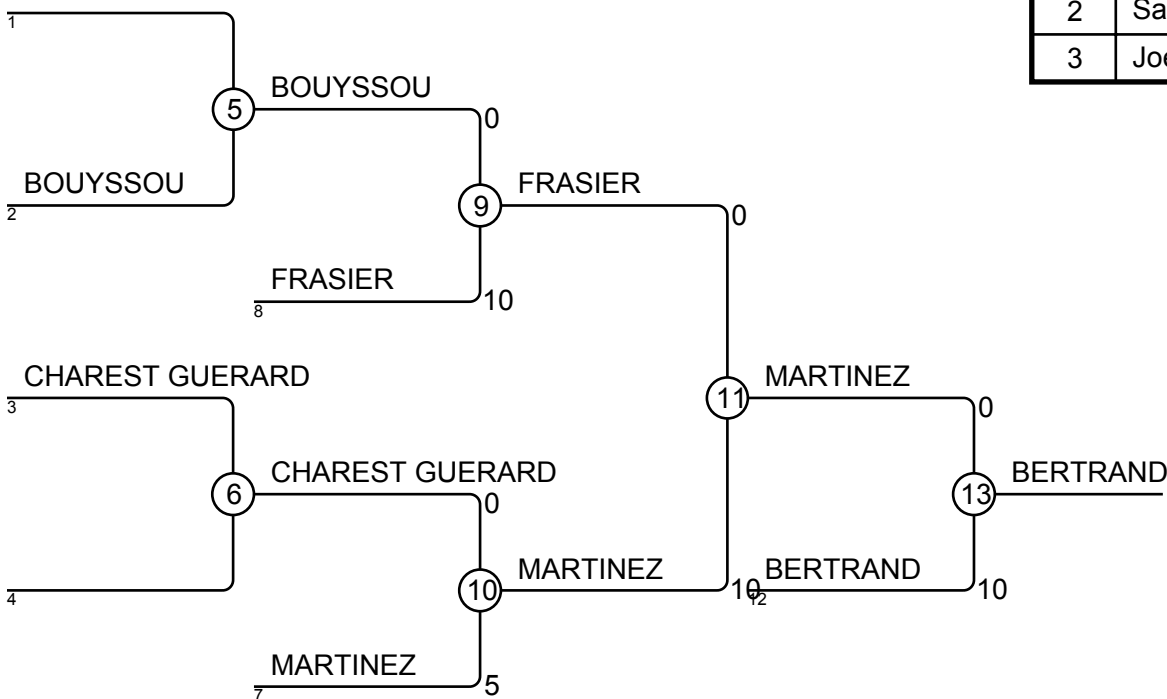
OSI 17/3 IJF-M /-60

Competitors: 6



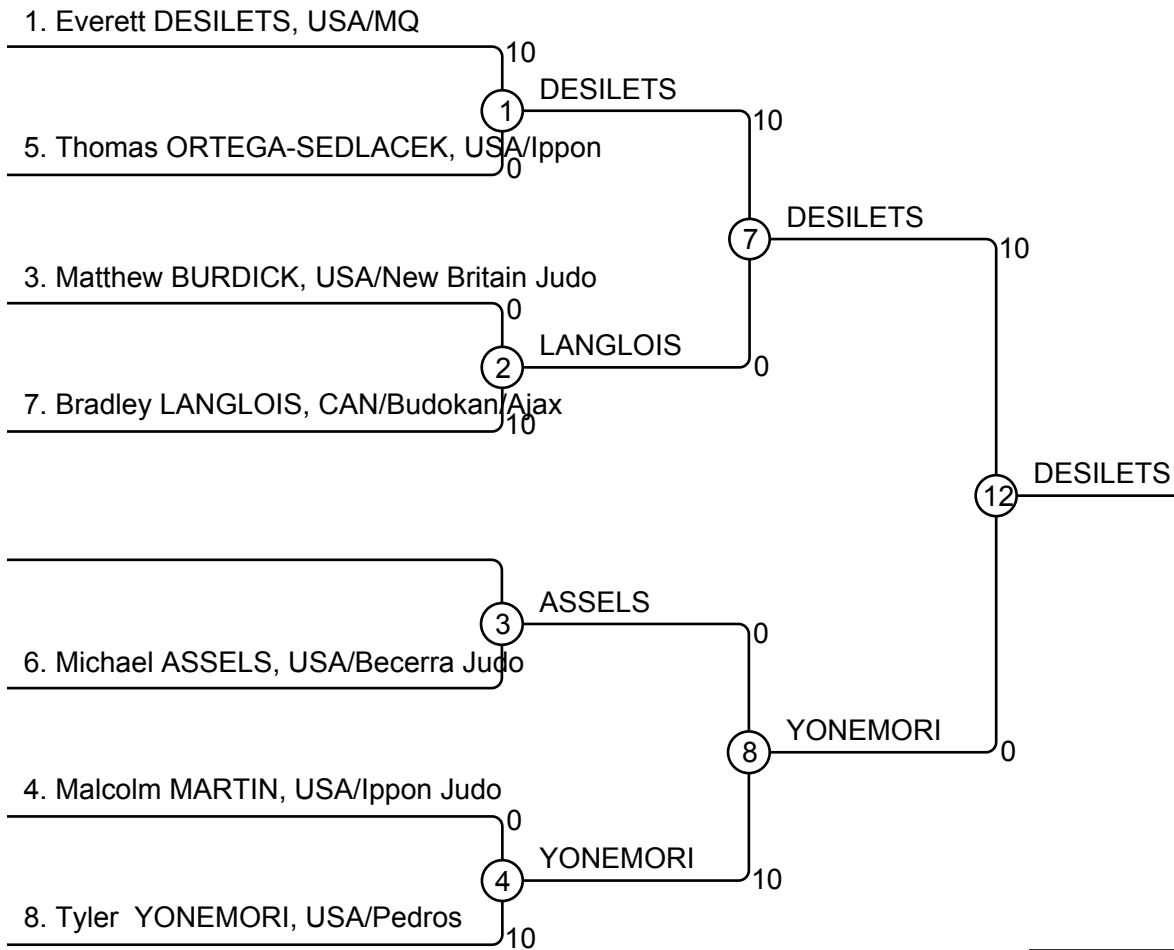
Results

Pos	Name
1	Davon JOHNSON, USA/Ippon
2	Samuel BERTRAND, CAN/Quebec
3	Joe MARTINEZ, USA/JMJC



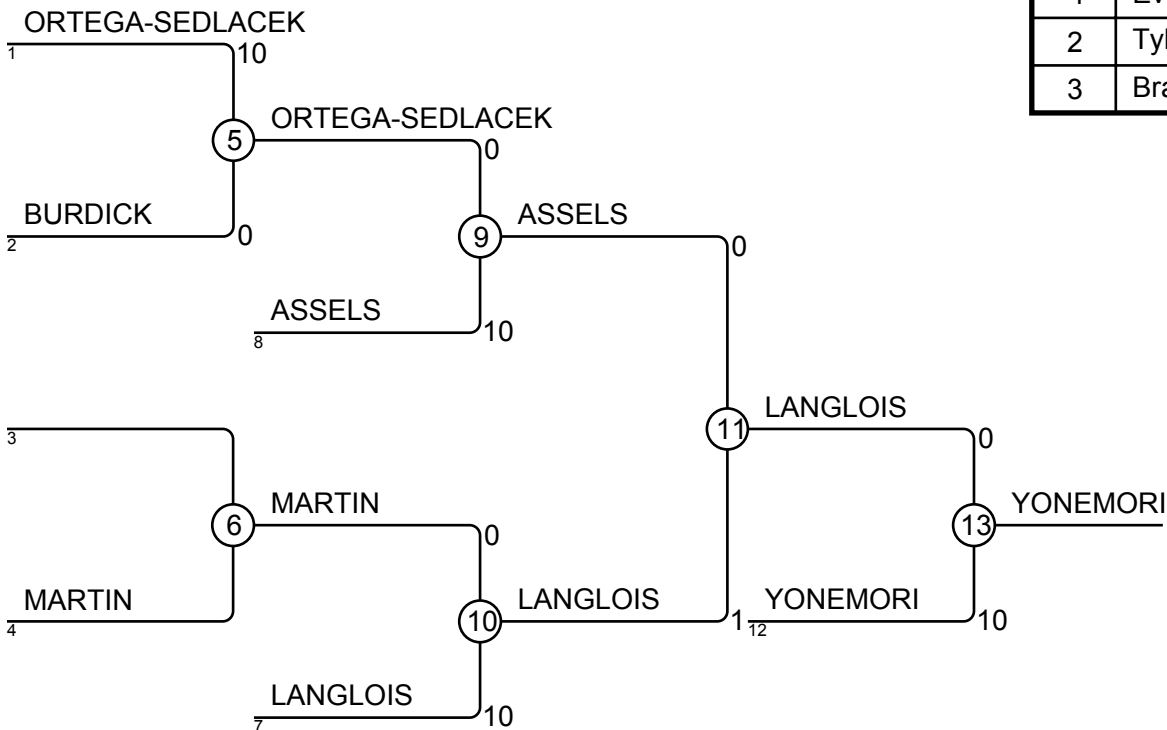
OSI 17/3 IJF-M /-66

Competitors: 7



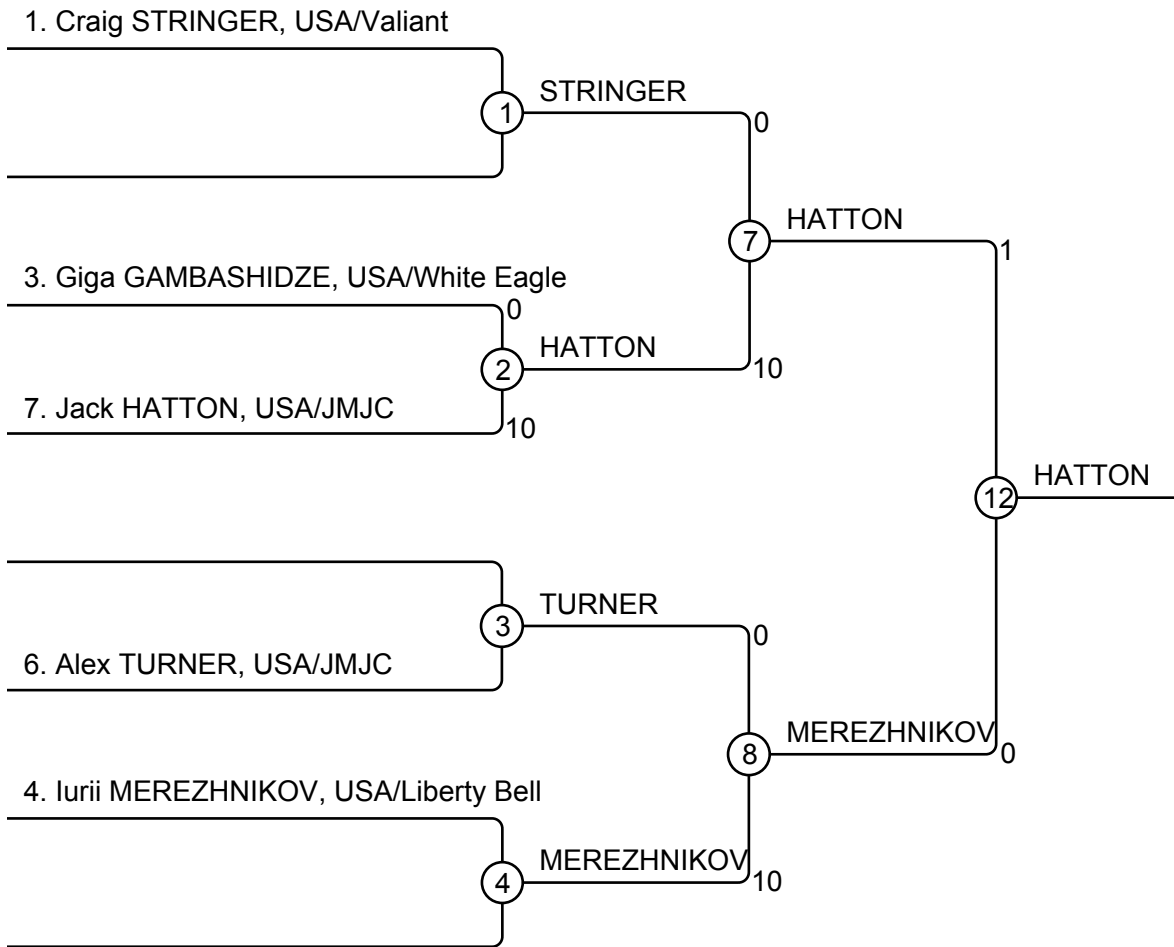
Results

Pos	Name
1	Everett DESILETS, USA/MQ
2	Tyler YONEMORI, USA/Pedros
3	Bradley LANGLOIS, CAN/Budokan/A



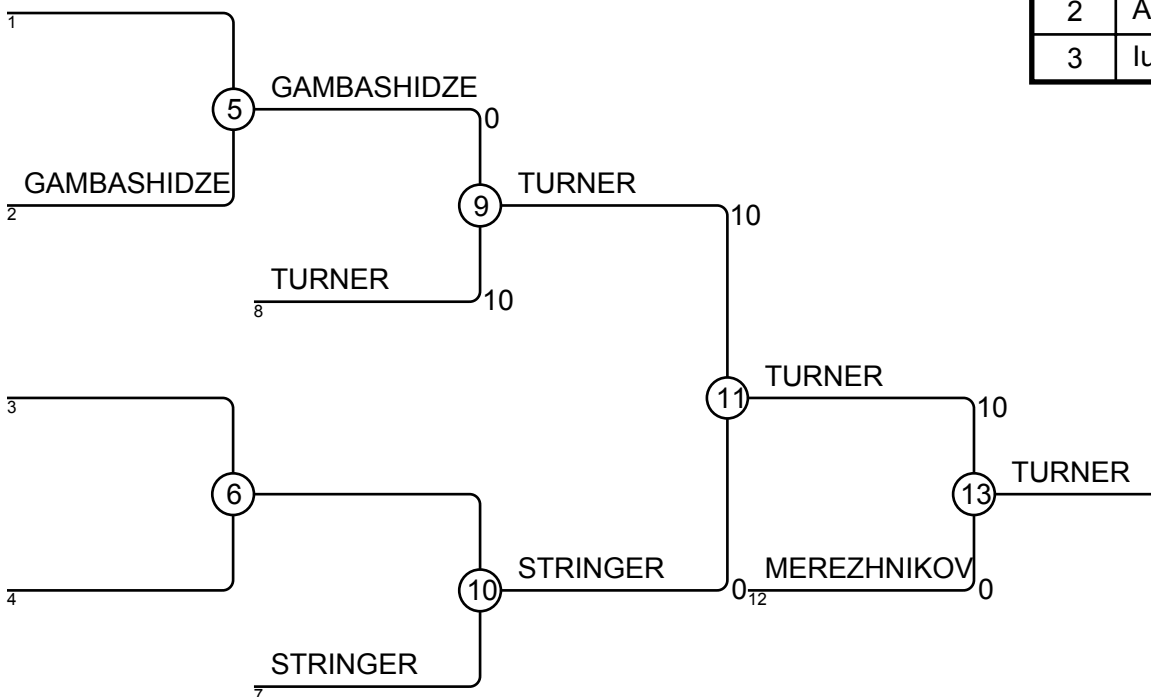
OSI 17/3 IJF-M /-73

Competitors: 5



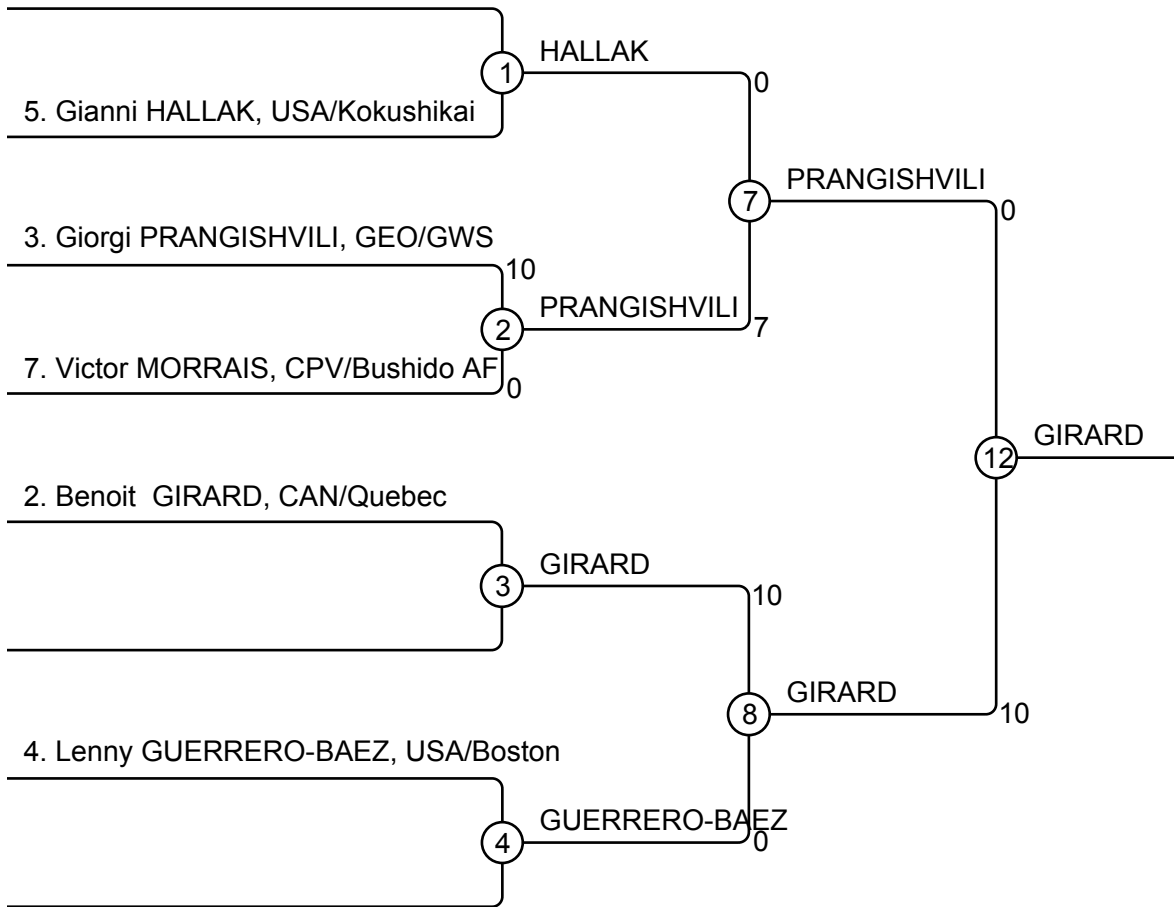
Results

Pos	Name
1	Jack HATTON, USA/JMJC
2	Alex TURNER, USA/JMJC
3	Iurii MEREZHNIKOV, USA/Liberty Be



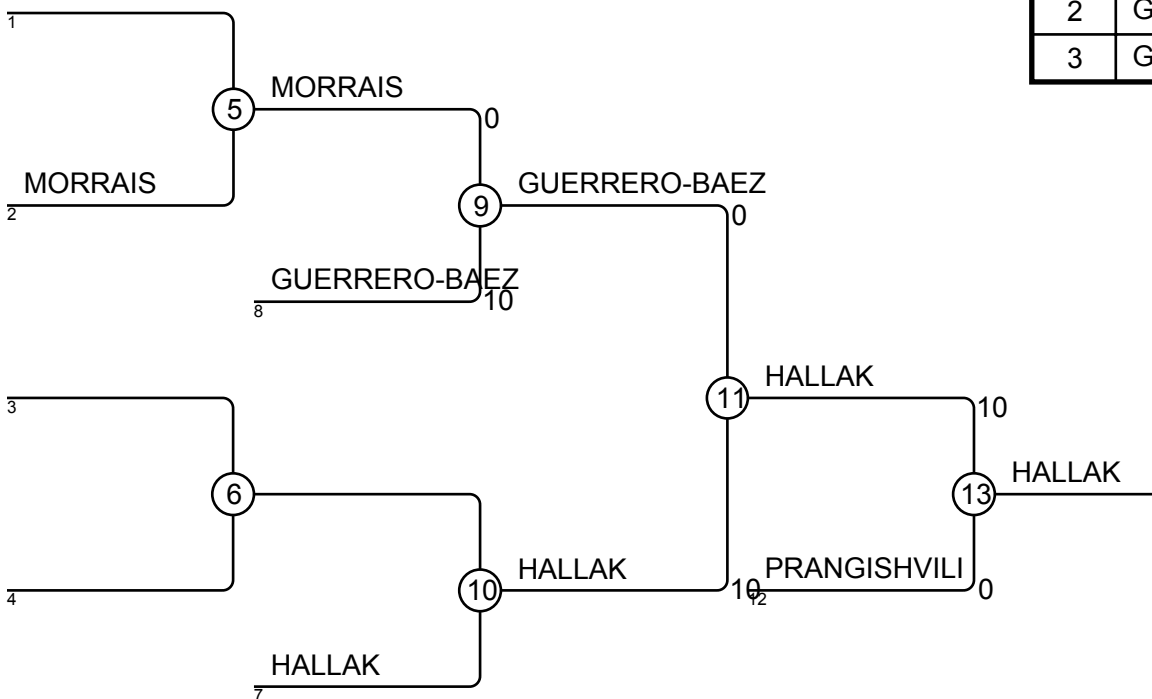
OSI 17/3 IJF-M /-81

Competitors: 6



Results

Pos	Name
1	Benoit GIRARD, CAN/Quebec
2	Gianni HALLAK, USA/Kokushikai
3	Giorgi PRANGISHVILI, GEO/GWS



OSI 17/3 IJF-M /-90

Competitors: 2

Competitors

#	Name	Club	1	2	1	2	1	2	Wins	Pts	Pos
1	Matthew KOCH	USA/Camal		10		10			2	20	1
2	Mark RYGIELSKI	CAN/Budokan/Ajax							0	0	2

Matches

Match	White			Blue	Result	Time
1	Matthew KOCH	1	2	Mark RYGIELSKI	10 - 0	2:19
2	Matthew KOCH	1	2	Mark RYGIELSKI	10 - 0	2:38
3	Matthew KOCH	1	2	Mark RYGIELSKI		

Results

Pos	Name
1	Matthew KOCH, USA/Camal
2	Mark RYGIELSKI, CAN/Budokan/Ajax

OSI 17/3 Sen-F /-48

Competitors: 4

Competitors

#	Name	Club	1	2	3	4	Wins	Pts	Pos
1	Haley MEARA	USA/Meara					0	0	3
2	Kayla DEWHIRST	CAN/Fredericton Judo	10		10		2	20	1
3	Sofia GRECO-BYRNE	USA/MQ	10				1	10	2
4	Roxanne SMITH-ROBITAILLE	CAN/Quebec					0	0	4

Matches

Match	White		Blue		Result	Time
1	Haley MEARA	1	2	Kayla DEWHIRST	0 - 10	1:02
2	Sofia GRECO-BYRNE	3	4	Roxanne SMITH-ROBITAILLE		
3	Haley MEARA	1	3	Sofia GRECO-BYRNE	0 - 10	0:15
4	Kayla DEWHIRST	2	4	Roxanne SMITH-ROBITAILLE		
5	Haley MEARA	1	4	Roxanne SMITH-ROBITAILLE		
6	Kayla DEWHIRST	2	3	Sofia GRECO-BYRNE	10 - 0	0:26

Results

Pos	Name
1	Kayla DEWHIRST, CAN/Fredericton Judo
2	Sofia GRECO-BYRNE, USA/MQ
3	Haley MEARA, USA/Meara
4	Roxanne SMITH-ROBITAILLE, CAN/Quebec

OSI 17/3 Sen-F /-57

Competitors: 4

Competitors

#	Name	Club	1	2	3	4	Wins	Pts	Pos
1	Hana CARMICHAEL	USA/Pedros		10	10	10	3	30	1
2	Tiffany BOGGS	USA/Ippon					0	0	4
3	Lysa GAGANON	CAN/Quebec		10			1	10	3
4	Cammi KAICHI	USA/JMJC		10	10		2	20	2

Matches

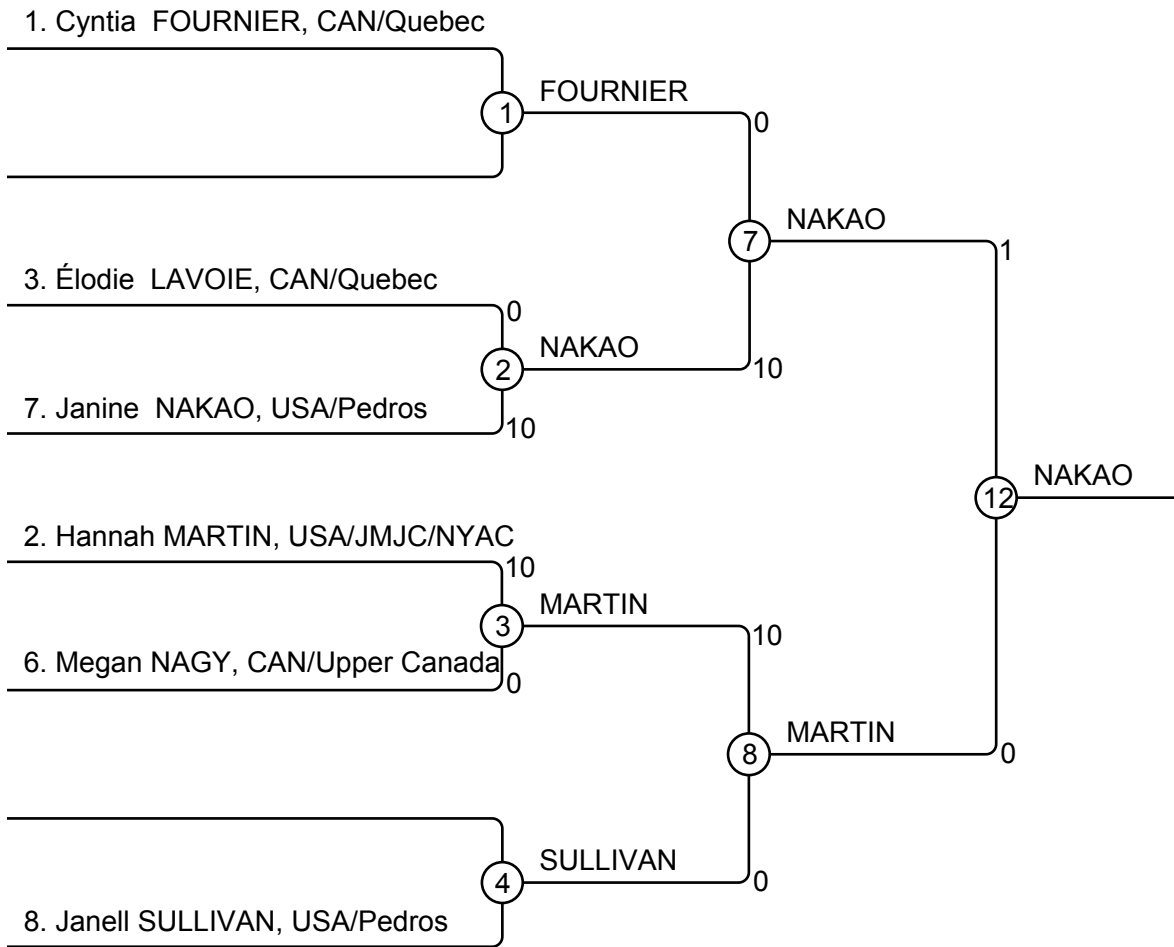
Match	White		Blue		Result	Time
1	Hana CARMICHAEL	1	2	Tiffany BOGGS	10 - 0	0:45
2	Lysa GAGANON	3	4	Cammi KAICHI	0 - 10	0:56
3	Hana CARMICHAEL	1	3	Lysa GAGANON	10 - 0	1:33
4	Tiffany BOGGS	2	4	Cammi KAICHI	0 - 10	1:31
5	Hana CARMICHAEL	1	4	Cammi KAICHI	10 - 0	1:59
6	Tiffany BOGGS	2	3	Lysa GAGANON	0 - 10	0:22

Results

Pos	Name
1	Hana CARMICHAEL, USA/Pedros
2	Cammi KAICHI, USA/JMJC
3	Lysa GAGANON, CAN/Quebec
4	Tiffany BOGGS, USA/Ippon

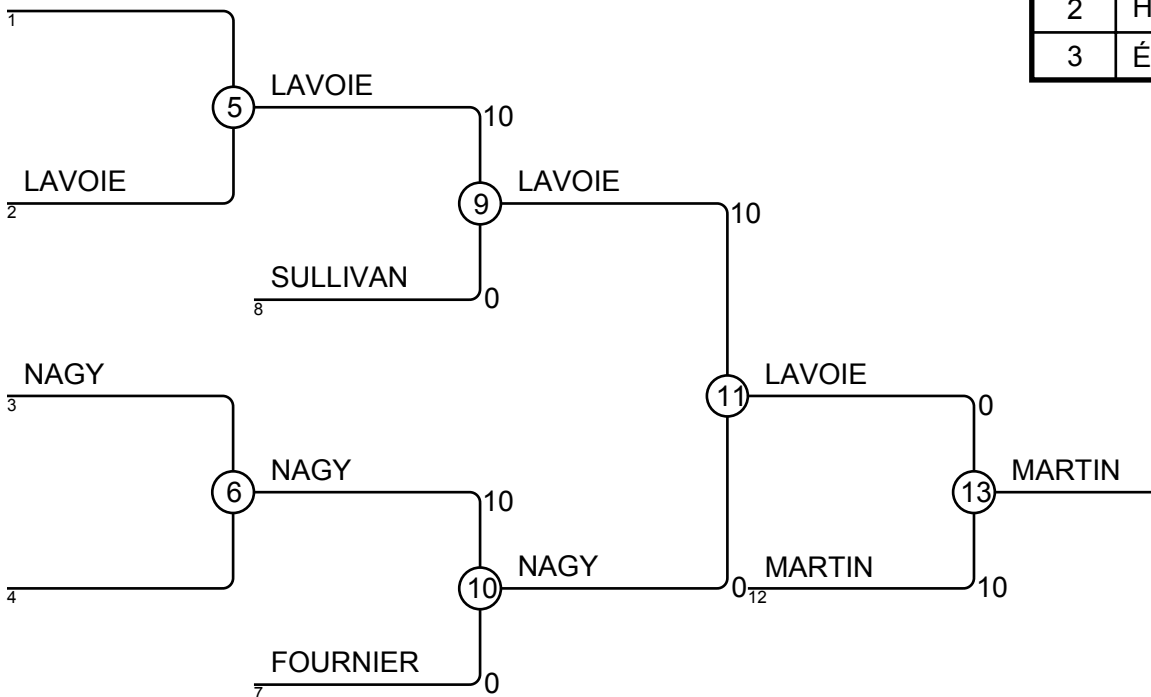
OSI 17/3 Sen-F /-63

Competitors: 7



Results

Pos	Name
1	Janine NAKAO, USA/Pedros
2	Hannah MARTIN, USA/JMJC/NYAC
3	Élodie LAVOIE, CAN/Quebec



OSI 17/3 Sen-F /-70

Competitors: 2

Competitors

#	Name	Club	1	2	1	2	1	2	Wins	Pts	Pos
1	Kiay VAN SCOYOC	USA/Ippon Judo							0	0	1
2	? UNCONTESTED								0	0	2

Matches

Match	White		Blue	Result	Time
1	Kiay VAN SCOYOC	1	2	? UNCONTESTED	
2	Kiay VAN SCOYOC	1	2	? UNCONTESTED	
3	Kiay VAN SCOYOC	1	2	? UNCONTESTED	

Results

Pos	Name
1	Kiay VAN SCOYOC, USA/Ippon Judo
2	? UNCONTESTED,

OSI 17/3 Sen-F /- +78

Competitors: 2

Competitors

#	Name	Club	1	2	1	2	1	2	Wins	Pts	Pos
1	Roxanne LAUZIER	CAN/Quebec				10		10	2	20	1
2	Shanah ARAWOLE	USA/MQ	10						1	10	2

Matches

Match	White		Blue	Result	Time	
1	Roxanne LAUZIER	1	2	Shanah ARAWOLE	0 - 10	1:33
2	Roxanne LAUZIER	1	2	Shanah ARAWOLE	10 - 0	0:35
3	Roxanne LAUZIER	1	2	Shanah ARAWOLE	10 - 0	3:41

Results

Pos	Name
1	Roxanne LAUZIER, CAN/Quebec
2	Shanah ARAWOLE, USA/MQ

OSI 17/3 Sen1-M /-60

Competitors: 2

Competitors

#	Name	Club	1	2	1	2	1	2	Wins	Pts	Pos
1	? UNCONTESTED								0	0	2
2	Samuel BERTRAND	CAN/Quebec							0	0	1

Matches

Match	White		Blue	Result	Time
1	? UNCONTESTED	1	2	Samuel BERTRAND	
2	? UNCONTESTED	1	2	Samuel BERTRAND	
3	? UNCONTESTED	1	2	Samuel BERTRAND	

Results

Pos	Name
1	Samuel BERTRAND, CAN/Quebec
2	? UNCONTESTED,

OSI 17/3 Sen1-M /-90

Competitors: 3

Competitors

#	Name	Club	1	2	3	Wins	Pts	Pos
1	Jeff MICHEL	USA/Legros		10		0	0	3
2	John MULLINS	USA/Wareham Judo				0	0	2
3	Woody THONDERAU	USA/Pedros				0	0	1

Matches

Match	White		Blue	Result	Time
1	Jeff MICHEL	1 2	John MULLINS	10 - 0	4:51
2	Jeff MICHEL	1 3	Woody THONDERAU		
3	John MULLINS	2 3	Woody THONDERAU		

Results

Pos	Name
1	Woody THONDERAU, USA/Pedros
2	John MULLINS, USA/Wareham Judo
3	Jeff MICHEL, USA/Legros

OSI 17/3 Sen1-M /-90,0

Competitors: 2

Competitors

#	Name	Club	1	2	1	2	1	2	Wins	Pts	Pos
1	John MULLINS	USA/Wareham Judo							0	0	2
2	Jeff MICHEL	USA/Legros	10		10				2	20	1

Matches

Match	White			Blue	Result	Time
1	John MULLINS	1	2	Jeff MICHEL	0 - 10	0:00
2	John MULLINS	1	2	Jeff MICHEL	0 - 10	1:03
3	John MULLINS	1	2	Jeff MICHEL		

Results

Pos	Name
1	Jeff MICHEL, USA/Legros
2	John MULLINS, USA/Wareham Judo

OSI 17/3 Sen1-M /- +100

Competitors: 3

Competitors

#	Name	Club	1	2	3	Wins	Pts	Pos
1	Mac RICHARDSON	USA/Legros				0	0	3
2	Peter STANLEY	USA/JMJC	10		10	2	20	1
3	Tyrick SMITH-CARTER	USA/Legros	10			1	10	2

Matches

Match	White			Blue	Result	Time
1	Mac RICHARDSON	1	2	Peter STANLEY	0 - 10	0:33
2	Mac RICHARDSON	1	3	Tyrick SMITH-CARTER	0 - 10	0:15
3	Peter STANLEY	2	3	Tyrick SMITH-CARTER	10 - 0	2:16

Results

Pos	Name
1	Peter STANLEY, USA/JMJC
2	Tyrick SMITH-CARTER, USA/Legros
3	Mac RICHARDSON, USA/Legros

OSI 17/3 Sen2-M /-55

Competitors: 2

Competitors

#	Name	Club	1	2	1	2	1	2	Wins	Pts	Pos
1	Patrick MENDIOLA	USA/Ippon		10					1	10	2
2	Nate COLICCI	USA/MQ			10		5		2	15	1

Matches

Match	White		Blue	Result	Time	
1	Patrick MENDIOLA	1	2	Nate COLICCI	10 - 0	3:55
2	Patrick MENDIOLA	1	2	Nate COLICCI	0 - 10	4:39
3	Patrick MENDIOLA	1	2	Nate COLICCI	0 - 5	5:00

Results

Pos	Name
1	Nate COLICCI, USA/MQ
2	Patrick MENDIOLA, USA/Ippon

OSI 17/3 Sen2-M /-66

Competitors: 2

Competitors

#	Name	Club	1	2	1	2	1	2	Wins	Pts	Pos
1	Michael BRIDGES	USA/Wareham Judo							0	0	2
2	Brent RODERICK	USA/Bushido Kai	10		10				2	20	1

Matches

Match	White		Blue	Result	Time	
1	Michael BRIDGES	1	2	Brent RODERICK	0 - 10	3:41
2	Michael BRIDGES	1	2	Brent RODERICK	0 - 10	0:00
3	Michael BRIDGES	1	2	Brent RODERICK		

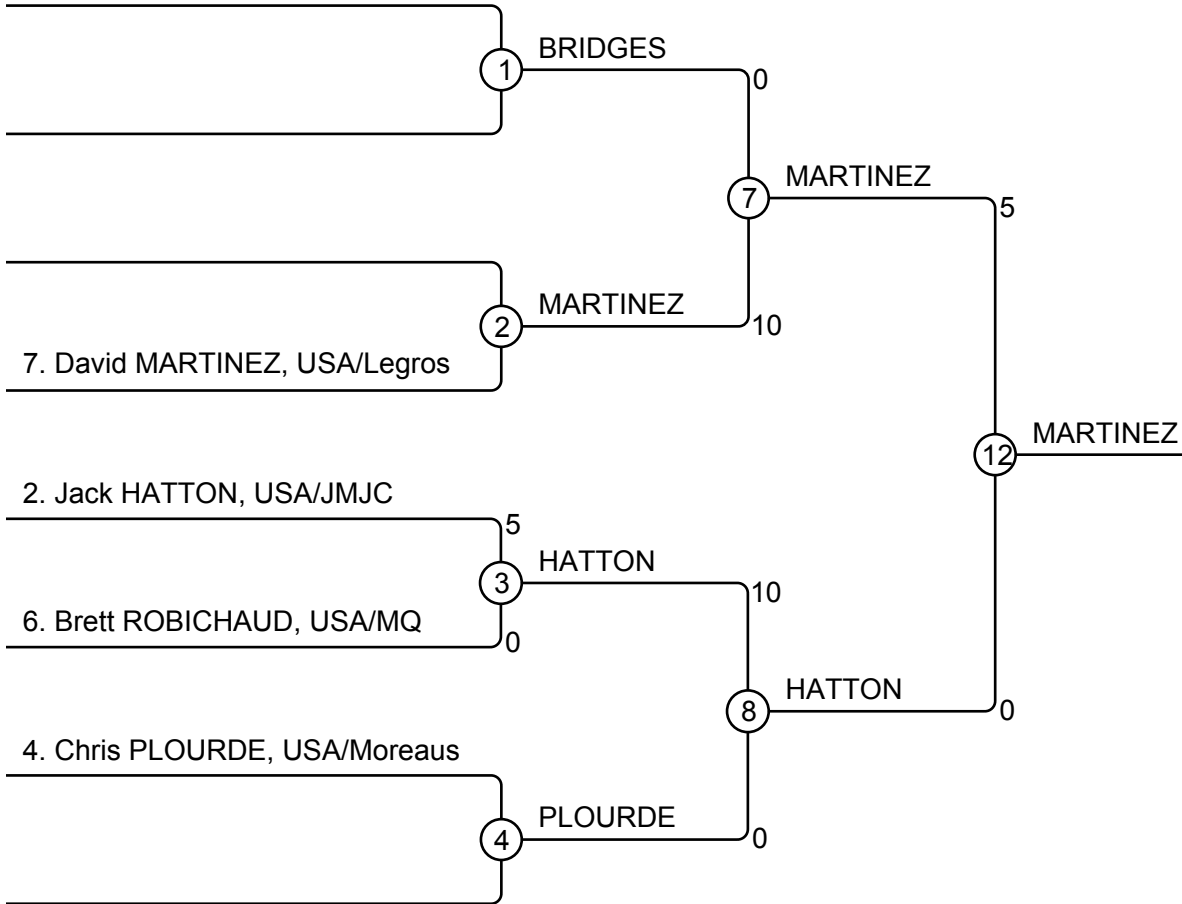
Results

Pos	Name
1	Brent RODERICK, USA/Bushido Kai
2	Michael BRIDGES, USA/Wareham Judo

OSI 17/3 Sen2-M /-73

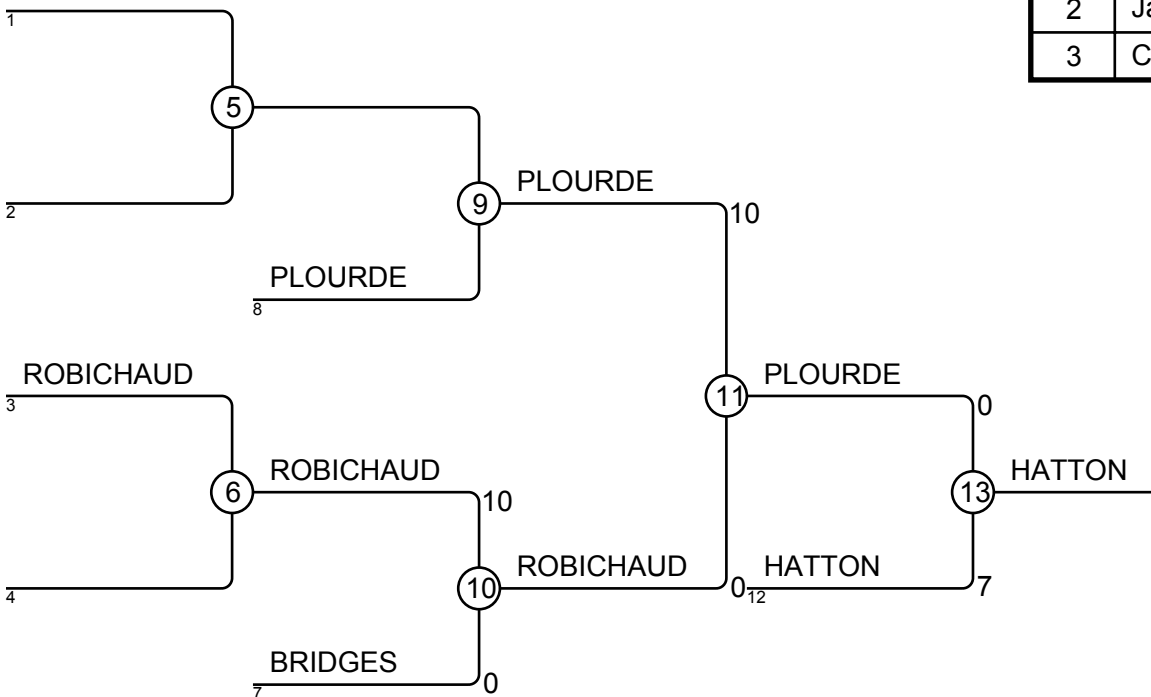
Competitors: 5

1. Robert BRIDGES, USA/Wareham Judo



Results

Pos	Name
1	David MARTINEZ, USA/Legros
2	Jack HATTON, USA/JMJC
3	Chris PLOURDE, USA/Moreaus



OSI 17/3 Sen2-M /-81

Competitors: 2

Competitors

#	Name	Club	1	2	1	2	1	2	Wins	Pts	Pos
1	? UNCONTESTED								0	0	2
2	Gianni HALLAK	USA/Kokushikai							0	0	1

Matches

Match	White		Blue	Result	Time
1	? UNCONTESTED	1	2	Gianni HALLAK	
2	? UNCONTESTED	1	2	Gianni HALLAK	
3	? UNCONTESTED	1	2	Gianni HALLAK	

Results

Pos	Name
1	Gianni HALLAK, USA/Kokushikai
2	? UNCONTESTED,

OSI 17/3 Sen2-M /-90

Competitors: 2

Competitors

#	Name	Club	1	2	1	2	1	2	Wins	Pts	Pos
1	John MULLINS	USA/Wareham Judo							0	0	2
2	Tyrone TILSON	USA/MQ	10		10				2	20	1

Matches

Match	White		Blue	Result	Time
1	John MULLINS	1 2	Tyrone TILSON	0 - 10	0:36
2	John MULLINS	1 2	Tyrone TILSON	0 - 10	0:17
3	John MULLINS	1 2	Tyrone TILSON		

Results

Pos	Name
1	Tyrone TILSON, USA/MQ
2	John MULLINS, USA/Wareham Judo

OSI 17/3 Sen2-M /-100

Competitors: 4

Competitors

#	Name	Club	1	2	3	4	Wins	Pts	Pos
1	Caleb BROWN	USA/Cape Cod Mat Sports					0	0	4
2	Martin RYGIELSKI	CAN/Budokan/Ajax	10			10	2	20	2
3	Marcus CARROLL	USA/Kokushi	10	10			2	20	1
4	Peter STANLEY	USA/JMJC	10		7		2	17	3

Matches

Match	White		Blue		Result	Time
1	Caleb BROWN	1	2	Martin RYGIELSKI	0 - 10	1:06
2	Marcus CARROLL	3	4	Peter STANLEY	0 - 7	3:00
3	Caleb BROWN	1	3	Marcus CARROLL	0 - 10	0:22
4	Martin RYGIELSKI	2	4	Peter STANLEY	10 - 0	1:57
5	Caleb BROWN	1	4	Peter STANLEY	0 - 10	0:19
6	Martin RYGIELSKI	2	3	Marcus CARROLL	0 - 10	0:43

Results

Pos	Name
1	Marcus CARROLL, USA/Kokushi
2	Martin RYGIELSKI, CAN/Budokan/Ajax
3	Peter STANLEY, USA/JMJC
4	Caleb BROWN, USA/Cape Cod Mat Sports

OSI 17/3 Sen3-M /-60

Competitors: 4

Competitors

#	Name	Club	1	2	3	4	Wins	Pts	Pos
1	Ernest OJITO	USA/Ojito			10	10	2	20	2
2	Nick KOSSOR	USA/JMJC	7		10	10	3	27	1
3	Alexandre DIBARTOLO	CAN/Quebec				10	1	10	3
4	Joe MARTINEZ	USA/JMJC					0	0	4

Matches

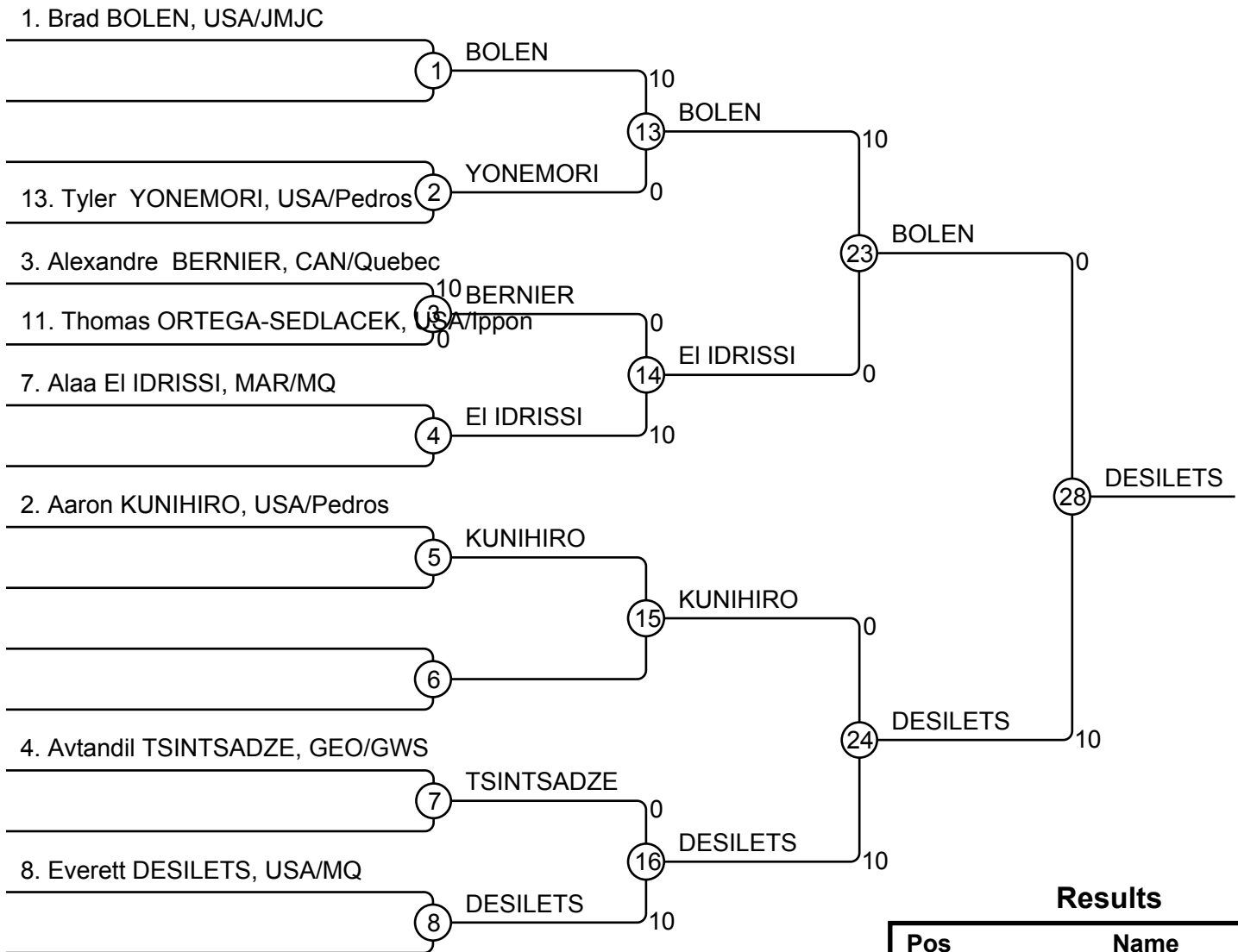
Match	White		Blue		Result	Time
1	Ernest OJITO	1	2	Nick KOSSOR	0 - 7	6:05
2	Alexandre DIBARTOLO	3	4	Joe MARTINEZ	10 - 0	2:19
3	Ernest OJITO	1	3	Alexandre DIBARTOLO	10 - 0	2:11
4	Nick KOSSOR	2	4	Joe MARTINEZ	10 - 0	0:24
5	Ernest OJITO	1	4	Joe MARTINEZ	10 - 0	1:10
6	Nick KOSSOR	2	3	Alexandre DIBARTOLO	10 - 0	0:47

Results

Pos	Name
1	Nick KOSSOR, USA/JMJC
2	Ernest OJITO, USA/Ojito
3	Alexandre DIBARTOLO, CAN/Quebec
4	Joe MARTINEZ, USA/JMJC

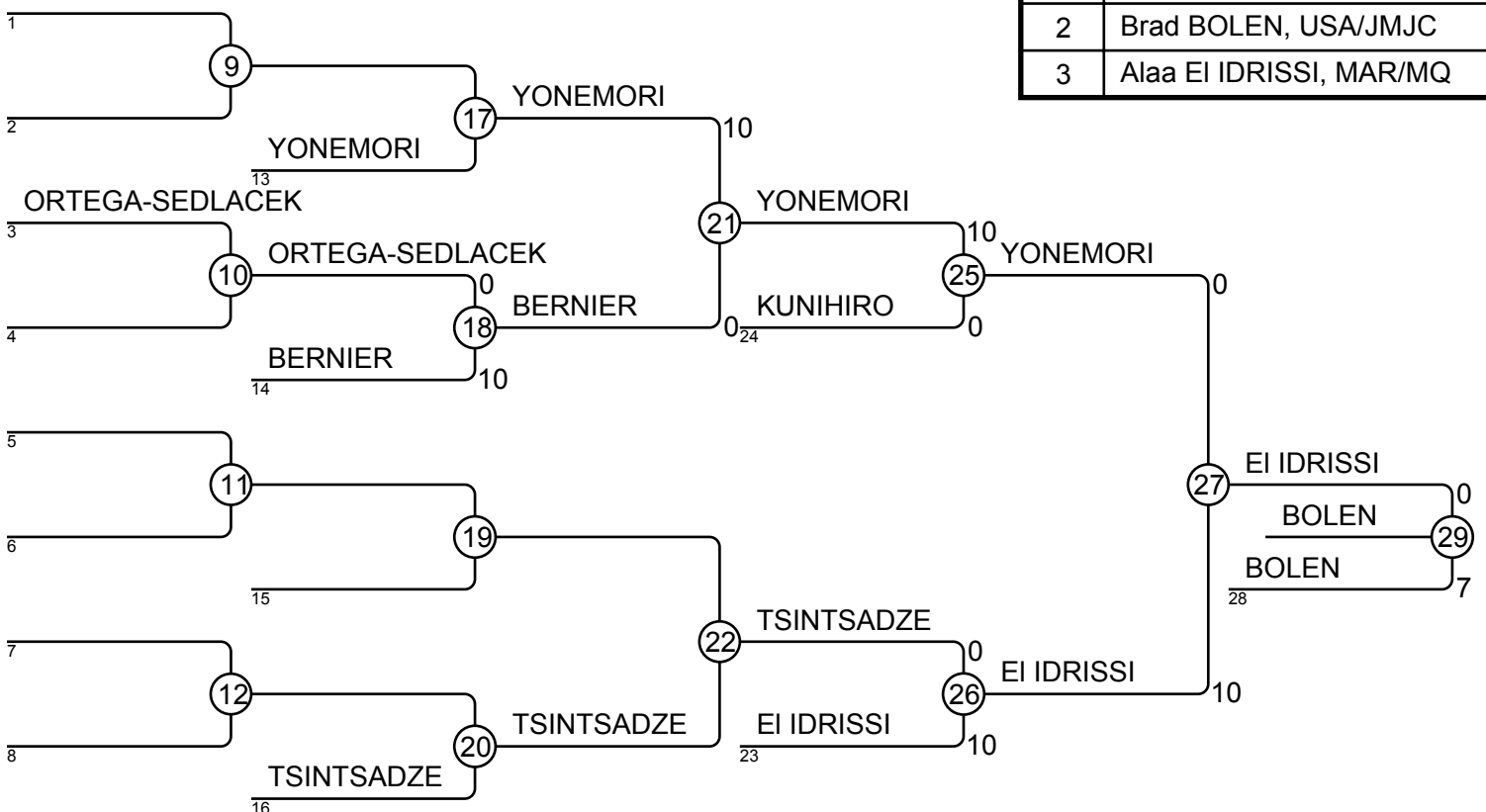
OSI 17/3 Sen3-M /-66

Competitors: 9



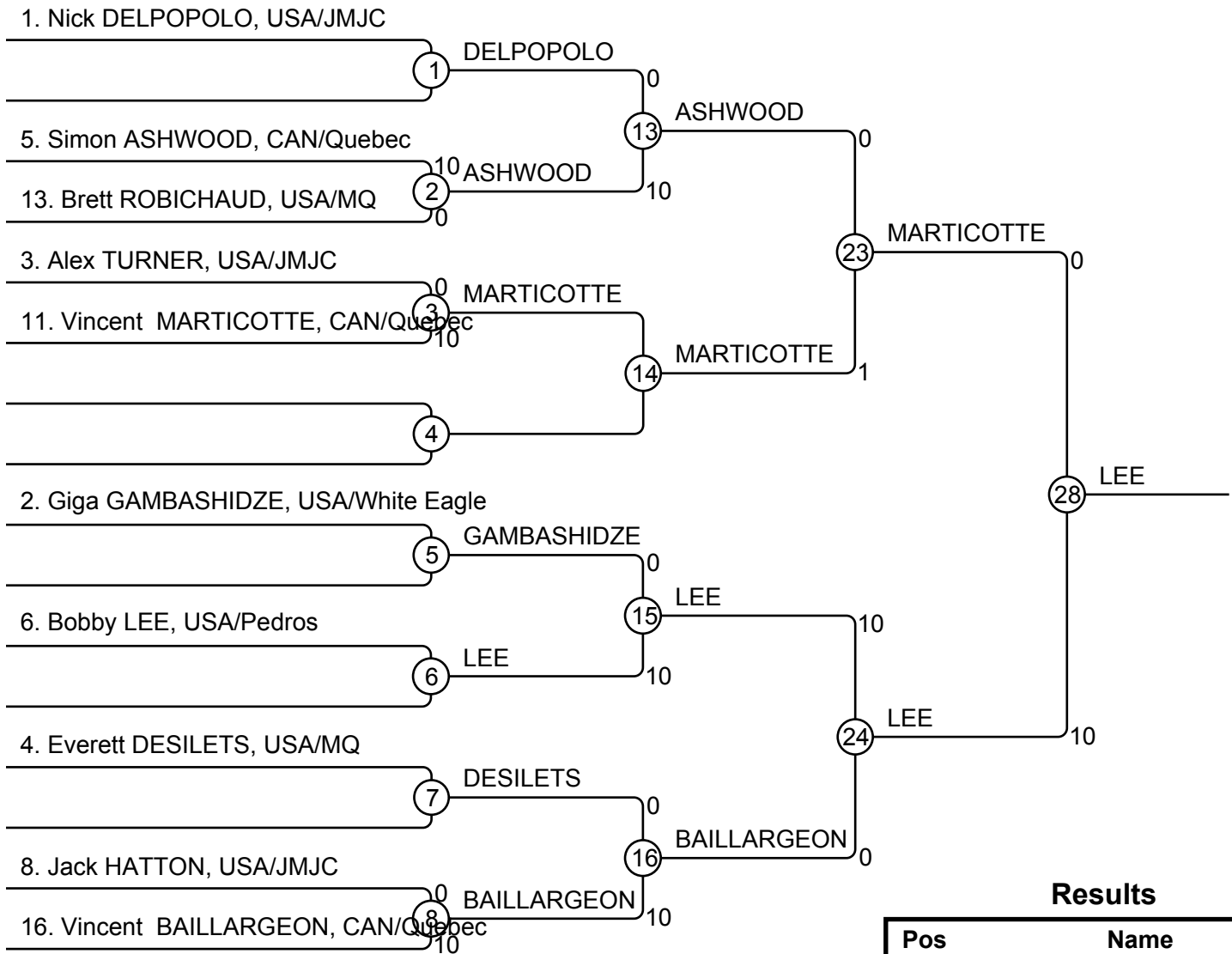
Results

Pos	Name
1	Everett DESILETS, USA/MQ
2	Brad BOLEN, USA/JMJC
3	Alaa EI IDRISSI, MAR/MQ



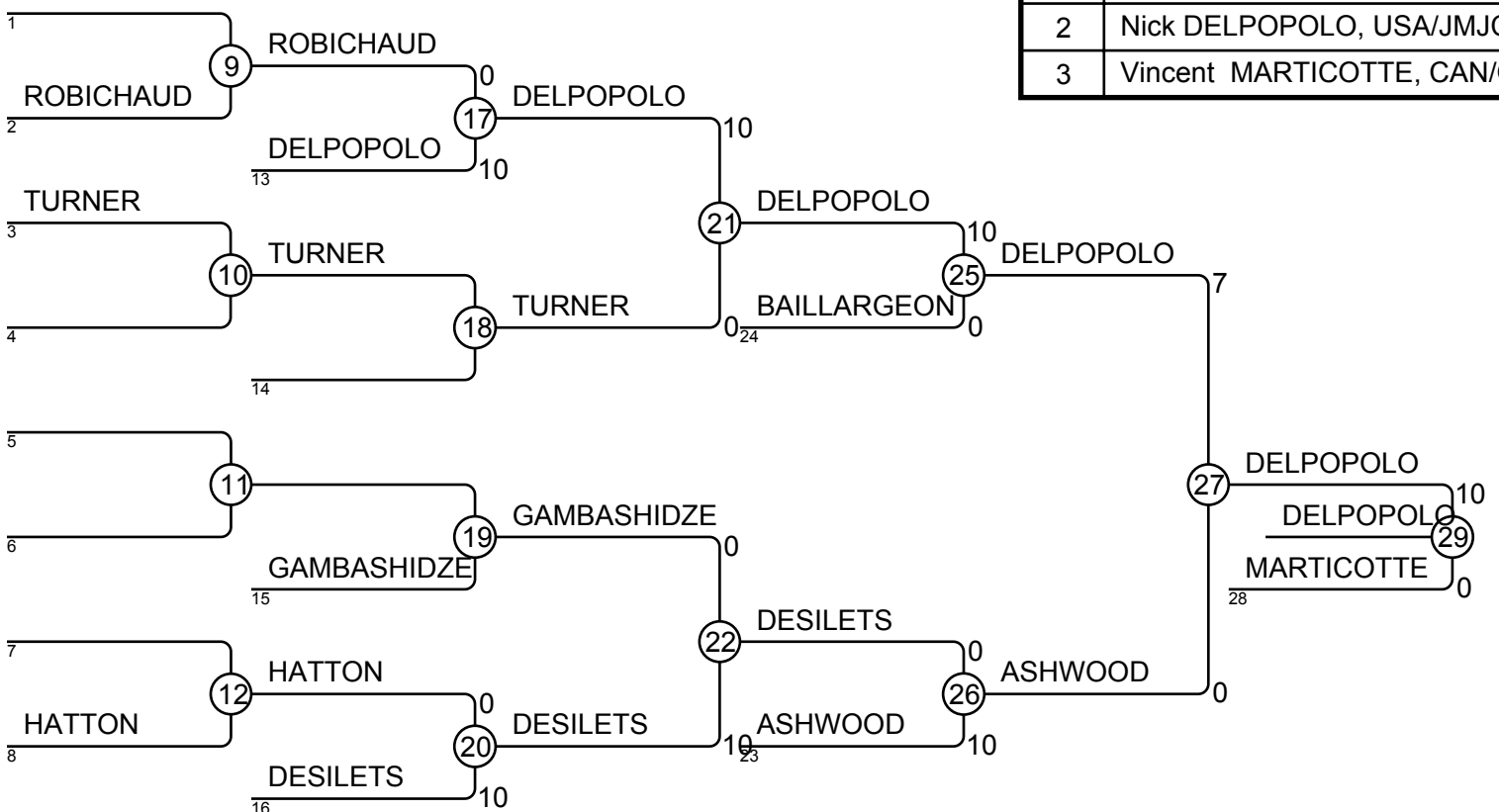
OSI 17/3 Sen3-M /-73

Competitors: 11



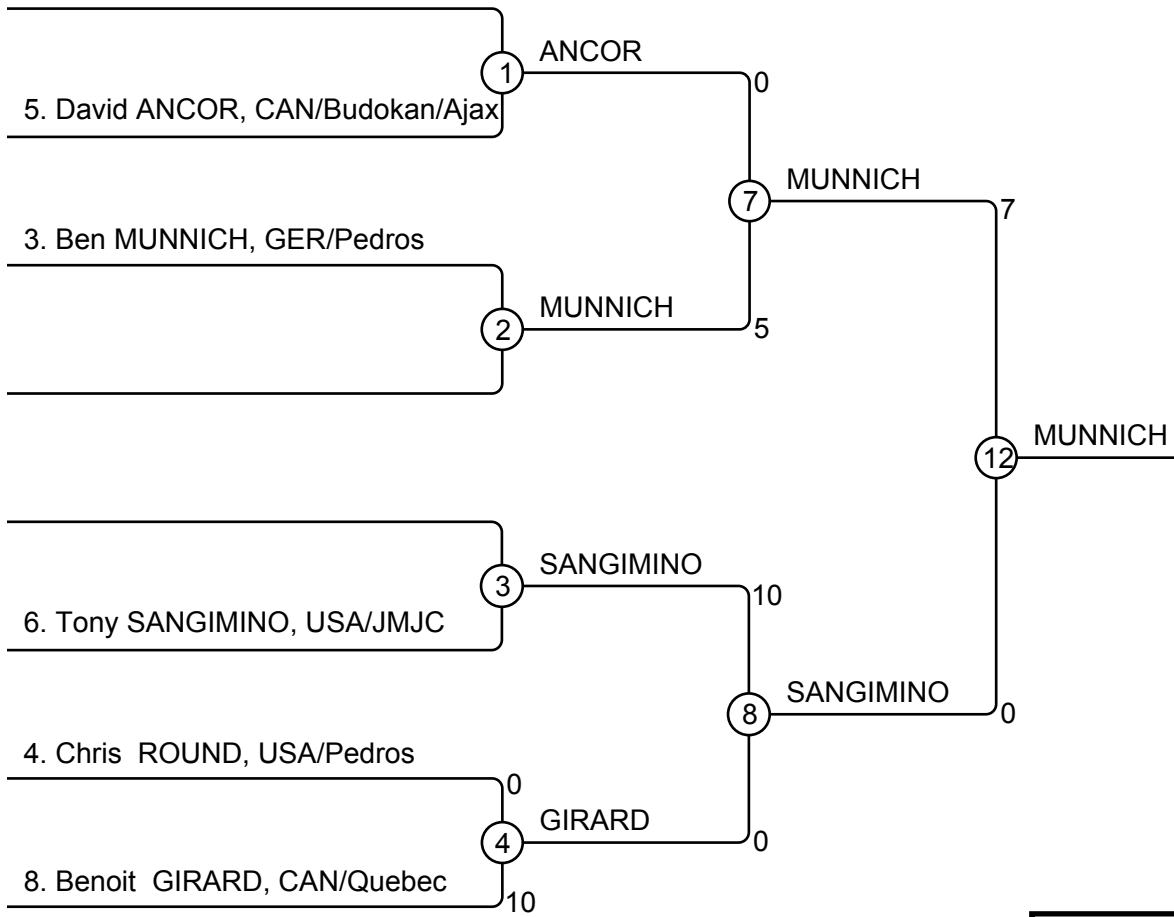
Results

Pos	Name
1	Bobby LEE, USA/Pedros
2	Nick DELPOPOLO, USA/JMJC
3	Vincent MARTICOTTE, CAN/Quebec



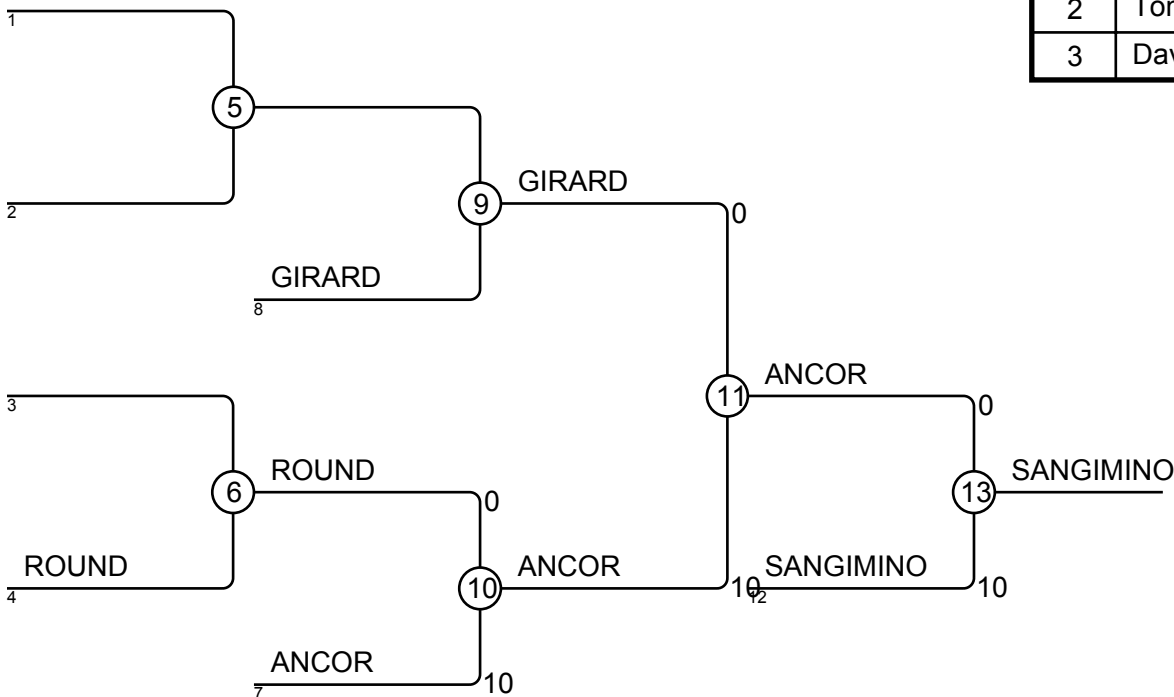
OSI 17/3 Sen3-M /-81

Competitors: 5



Results

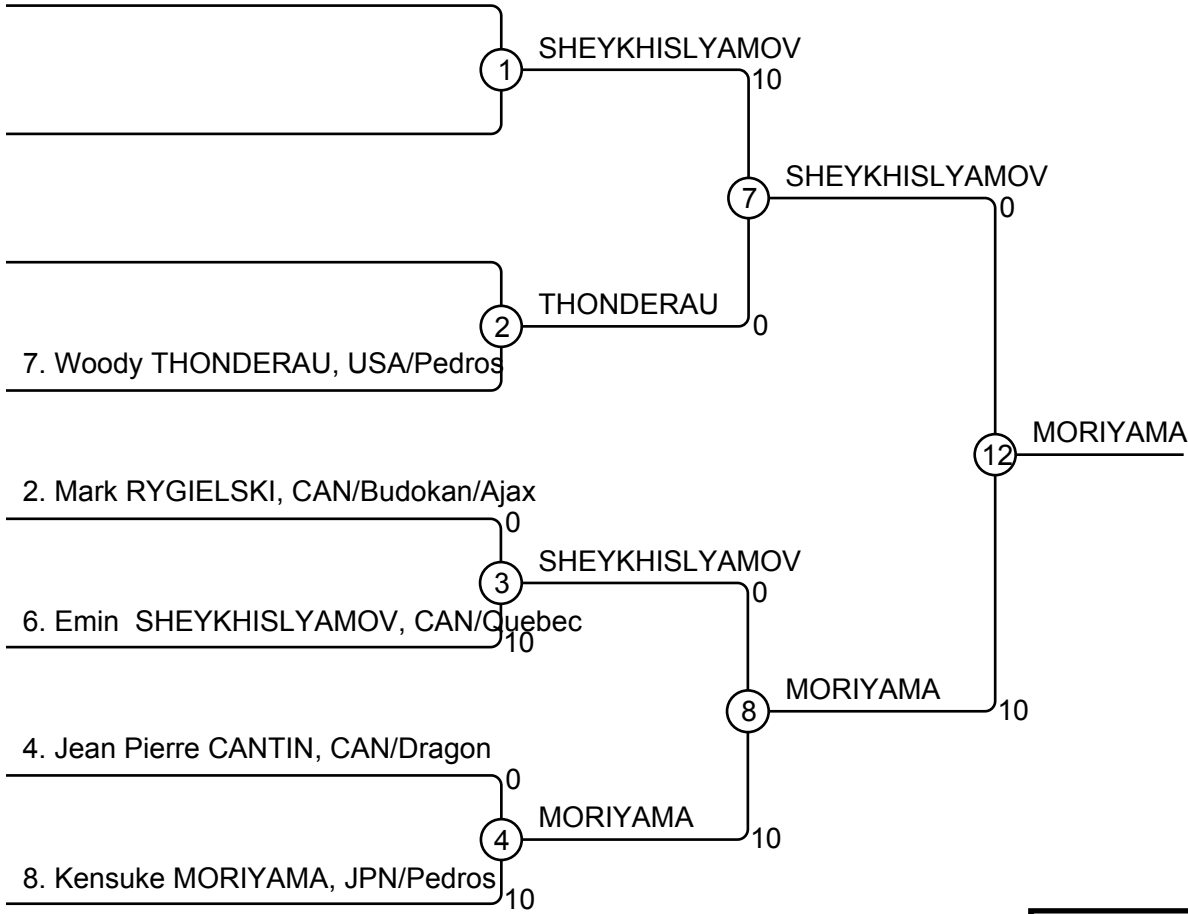
Pos	Name
1	Ben MUNNICH, GER/Pedros
2	Tony SANGIMINO, USA/JMJC
3	David ANCOR, CAN/Budokan/Ajax



OSI 17/3 Sen3-M /-90

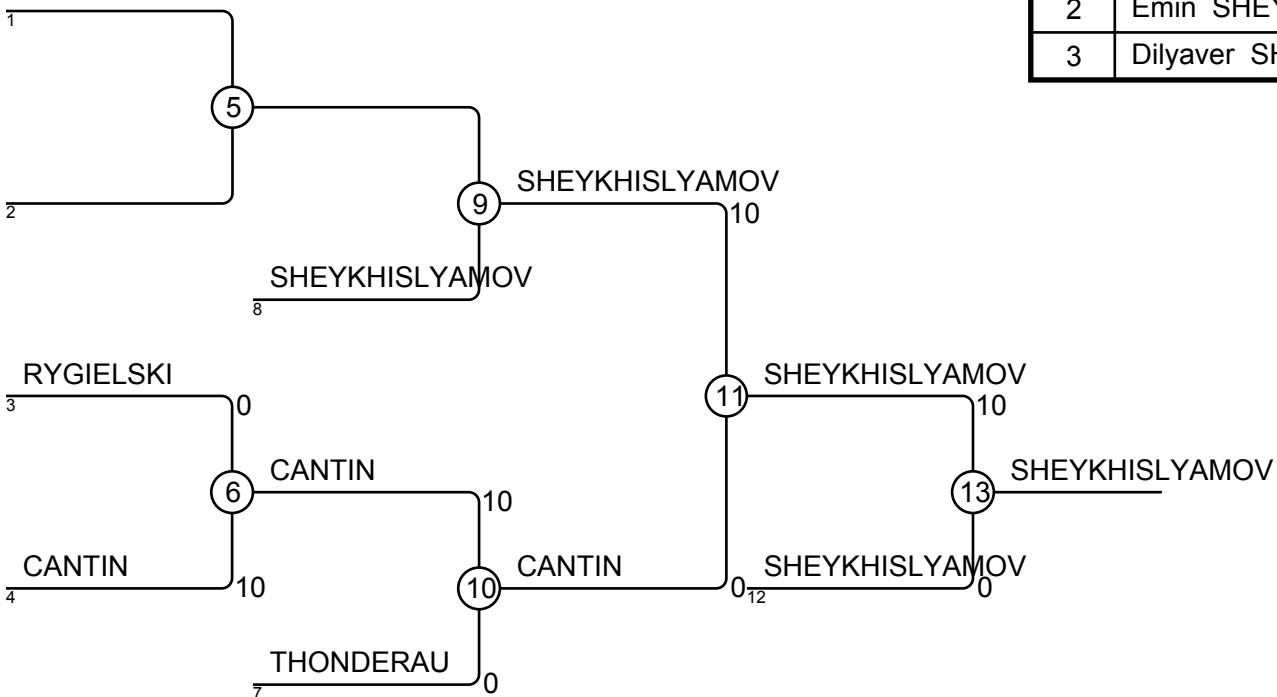
Competitors: 6

1. Dilyaver SHEYKHISLYAMOV, CAN/Quebec



Results

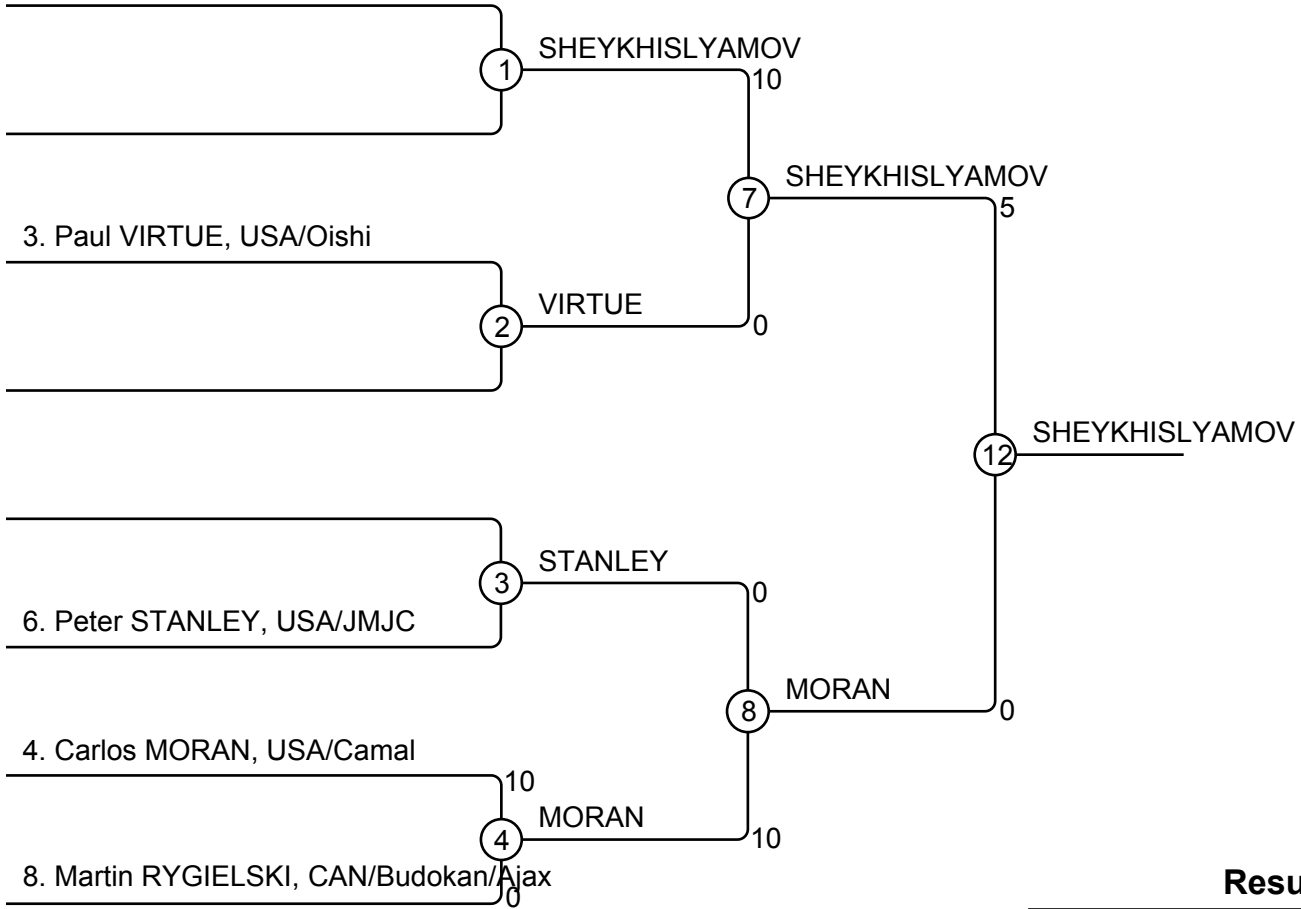
Pos	Name
1	Kensuke MORIYAMA, JPN/Pedros
2	Emin SHEYKHISLYAMOV, CAN/Quebec
3	Dilyaver SHEYKHISLYAMOV, CAN/Quebec



OSI 17/3 Sen3-M /-100

Competitors: 7

1. Dilyaver SHEYKHISLYAMOV, CAN/Quebec



3. Paul VIRTUE, USA/Oishi

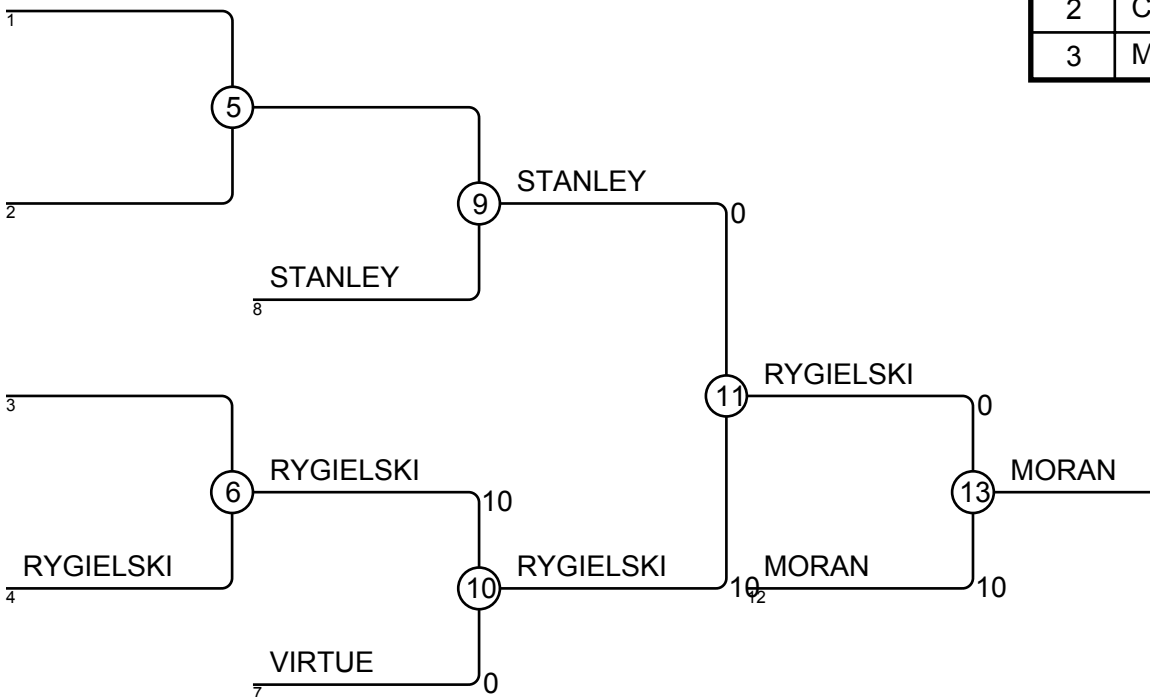
6. Peter STANLEY, USA/JMJC

4. Carlos MORAN, USA/Camal

8. Martin RYGIELSKI, CAN/Budokan/Ajax

Results

Pos	Name
1	Dilyaver SHEYKHISLYAMOV, CAN/Quebec
2	Carlos MORAN, USA/Camal
3	Martin RYGIELSKI, CAN/Budokan/Ajax



OSI 17/3 Sen3-M /- +100

Competitors: 2

Competitors

#	Name	Club	1	2	1	2	1	2	Wins	Pts	Pos
1	Peter STANLEY	USA/JMJC							0	0	1
2	? UNCONTESTED								0	0	2

Matches

Match	White		Blue	Result	Time
1	Peter STANLEY	1	2	? UNCONTESTED	
2	Peter STANLEY	1	2	? UNCONTESTED	
3	Peter STANLEY	1	2	? UNCONTESTED	

Results

Pos	Name
1	Peter STANLEY, USA/JMJC
2	? UNCONTESTED,

OSI 17/3 Masters-F /- L

Competitors: 2

Competitors

#	Name	Club	1	2	1	2	1	2	Wins	Pts	Pos
1	Tamara HEMINGWAY	USA/Kokushikai							0	0	1
2	? UNCONTESTED								0	0	2

Matches

Match	White		Blue	Result	Time
1	Tamara HEMINGWAY	1	2	? UNCONTESTED	
2	Tamara HEMINGWAY	1	2	? UNCONTESTED	
3	Tamara HEMINGWAY	1	2	? UNCONTESTED	

Results

Pos	Name
1	Tamara HEMINGWAY, USA/Kokushikai
2	? UNCONTESTED,

OSI 17/3 Masters-M /- L

Competitors: 2

Competitors

#	Name	Club	1	2	1	2	1	2	Wins	Pts	Pos
1	? UNCONTESTED								0	0	2
2	Jeff WOLFE	USA/Kokushikai							0	0	1

Matches

Match	White		Blue	Result	Time
1	? UNCONTESTED	1	2	Jeff WOLFE	
2	? UNCONTESTED	1	2	Jeff WOLFE	
3	? UNCONTESTED	1	2	Jeff WOLFE	

Results

Pos	Name
1	Jeff WOLFE, USA/Kokushikai
2	? UNCONTESTED,